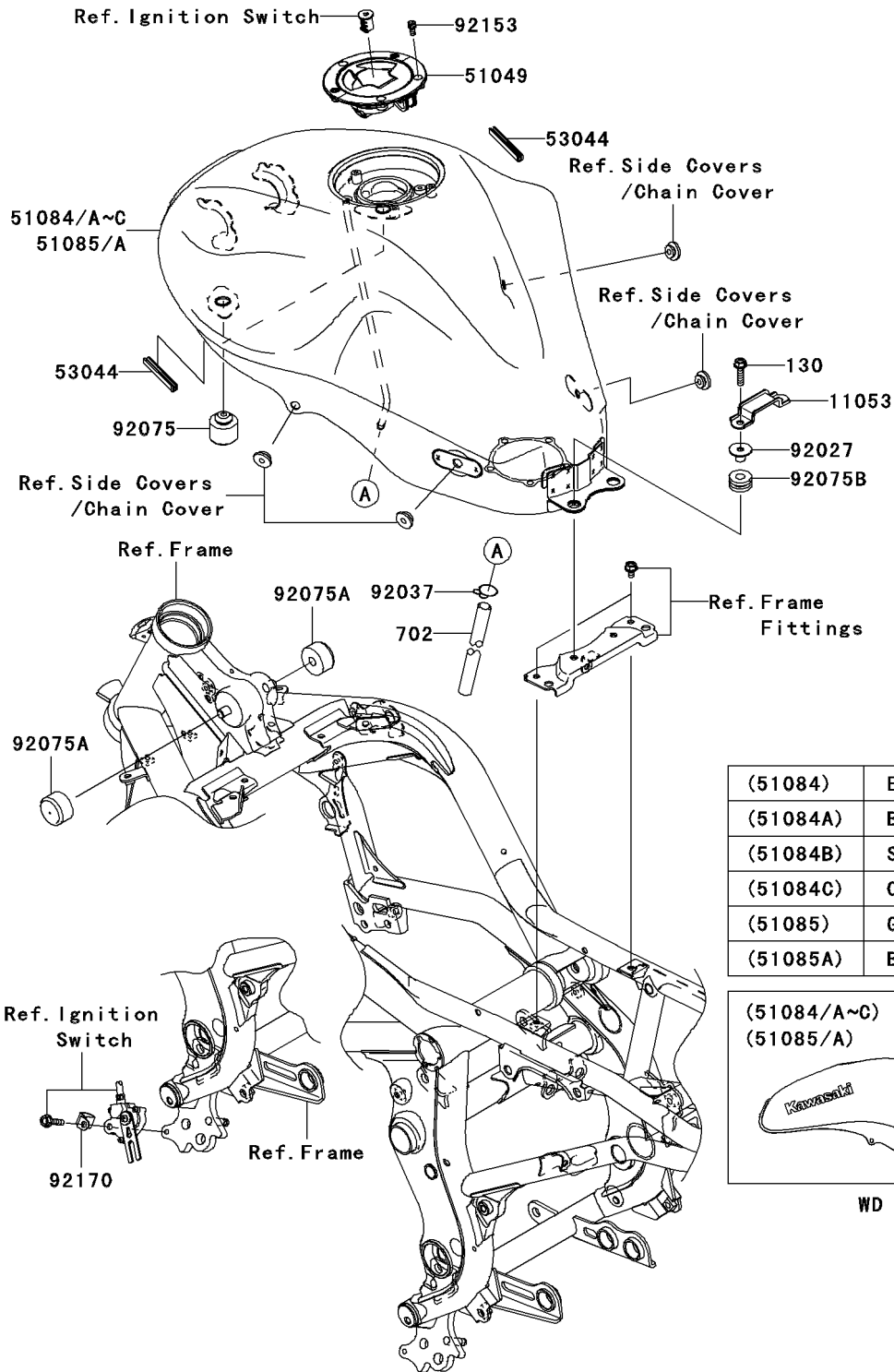


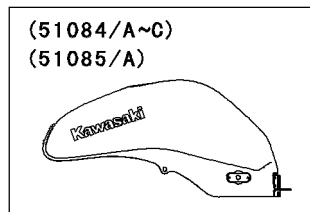
2008 ER-6n (Australian) PARTS DIAGRAM

Fuel Tank

F2410



| | |
|----------|--------|
| (51084) | Ebony |
| (51084A) | Black |
| (51084B) | Silver |
| (51084C) | Orange |
| (51085) | Green |
| (51085A) | Blue |



WD

2008 ER-6n (Australian) PARTS LIST

Fuel Tank

| ITEM NAME | PART NUMBER | QUANTITY |
|--|----------------|----------|
| BOLT-FLANGED,6X25 (Ref # 130) | 130BB0625 | 2 |
| TUBE-RUBBER,6X9X750 (Ref # 702) | 702A06750 | 1 |
| BRACKET,SEAT (Ref # 11053) | 11053-1812 | 1 |
| CAP-TANK,FUEL (Ref # 51049) | 51049-0012 | 1 |
| TANK-COMP-FUEL,C.L.GREEN (Ref # 51085) | 51085-5362-15P | 1 |
| TANK-COMP-FUEL,C.P.BLUE (Ref # 51085A) | 51085-5364-15D | 1 |
| TRIM,L=60 (Ref # 53044) | 53044-1249 | 2 |
| COLLAR,L=13.1 (Ref # 92027) | 92027-251 | 2 |
| CLAMP,TUBE (Ref # 92037) | 92037-010 | 1 |
| DAMPER (Ref # 92075) | 92075-1002 | 2 |
| DAMPER,FUEL TANK (Ref # 92075A) | 92075-125 | 2 |
| DAMPER (Ref # 92075B) | 92075-1690 | 2 |
| BOLT,SOCKET,5X16 (Ref # 92153) | 92153-1616 | 3 |
| CLAMP (Ref # 92170) | 92170-1833 | 1 |