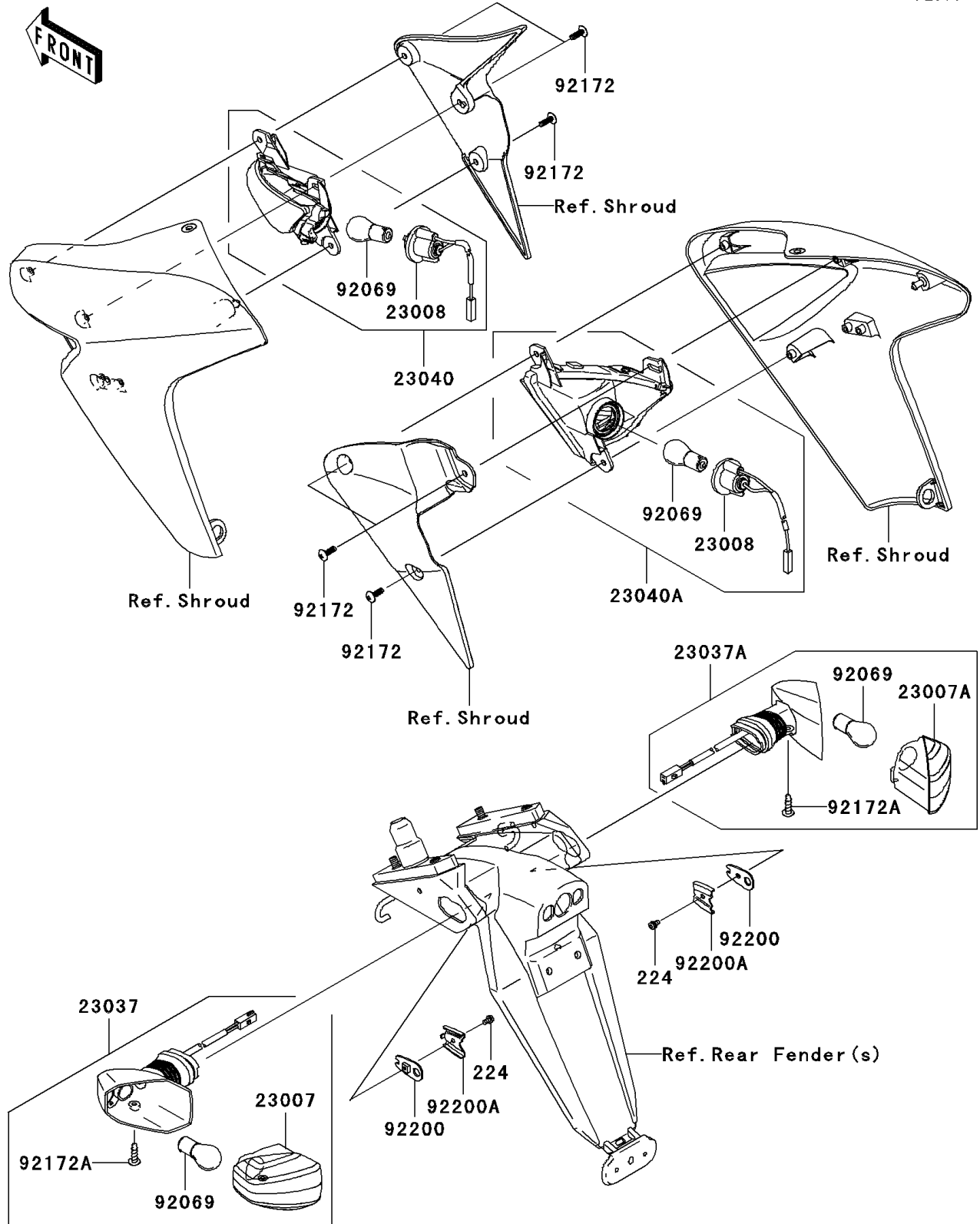


2008 ER-6n (Australian) PARTS DIAGRAM

Turn Signals

F2730



2008 ER-6n (Australian) PARTS LIST

Turn Signals

ITEM NAME	PART NUMBER	QUANTITY
SCREW-PAN-WP-CROS,4X8 (Ref # 224)	224AB0408	2
LENS-COMP,SIGNAL LAMP,RR,LH (Ref # 23007)	23007-0063	1
LENS-COMP,SIGNAL LAMP,RR,RH (Ref # 23007A)	23007-0064	1
SOCKET-ASSY,SIGNAL LAMP,FR (Ref # 23008)	23008-0044	2
LAMP-ASSY-SIGNAL,RR,LH (Ref # 23037)	23037-0077	1
LAMP-ASSY-SIGNAL,RR,RH (Ref # 23037A)	23037-0078	1
LAMP-SIGNAL,FR,LH (Ref # 23040)	23040-0059	1
LAMP-SIGNAL,FR,RH (Ref # 23040A)	23040-0060	1
BULB,12V 21W (Ref # 92069)	92069-1125	4
SCREW,TAPPING,5X16 (Ref # 92172)	92172-0175	6
SCREW,TAPPING 4X12 (Ref # 92172A)	92172-0242	2
WASHER,SIGNAL LAMP (Ref # 92200)	92200-0164	2
WASHER,SIGNAL LAMP (Ref # 92200A)	92200-0165	2