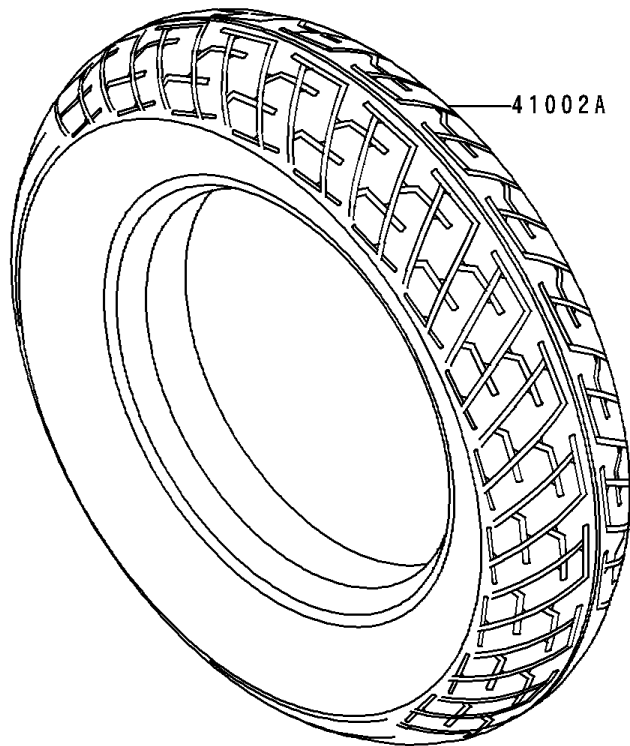
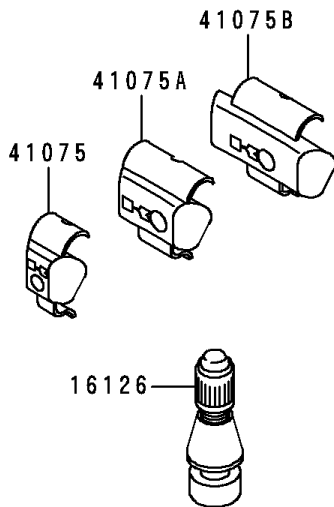
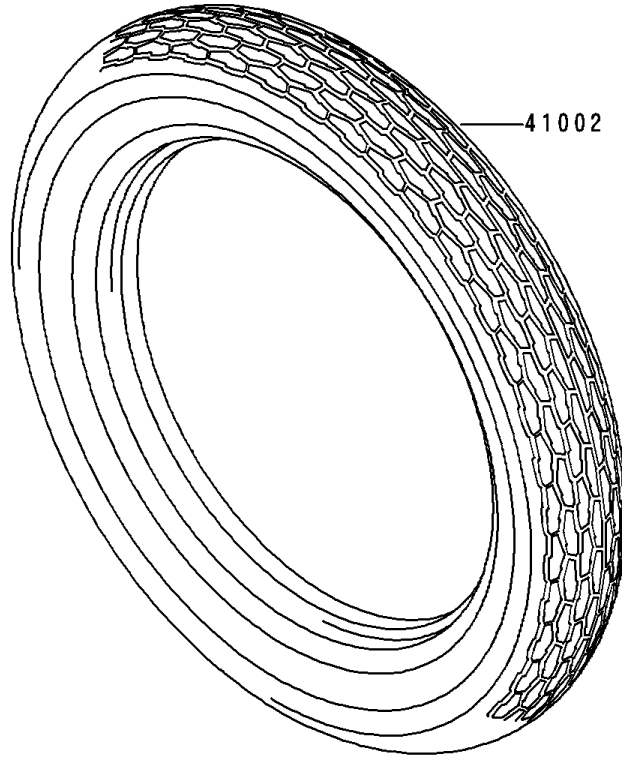
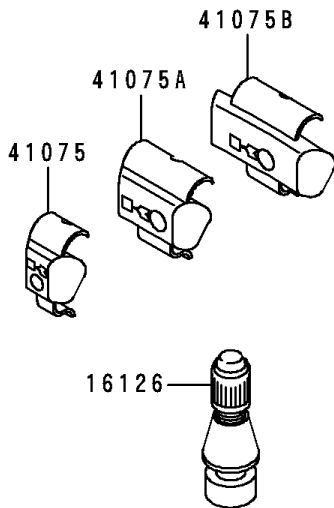


1999 Ninja® 250R PARTS DIAGRAM

Tires

F2210



1999 Ninja® 250R PARTS LIST

Tires

ITEM NAME	PART NUMBER	QUANTITY
VALVE,TIRE (Ref # 16126)	16126-1140	2
TIRE,FR,100/80-16 50S,K630F(D) (Ref # 41002)	41002-1642	1
TIRE,RR,130/80-16 64S,K630(D) (Ref # 41002A)	41002-1643	1
BALANCER-WHEEL,10G,SILVER (Ref # 41075)	41075-1014	AR
BALANCER-WHEEL,20G,SILVER (Ref # 41075A)	41075-1015	AR
BALANCER-WHEEL,30G,SILVER (Ref # 41075B)	41075-1016	AR