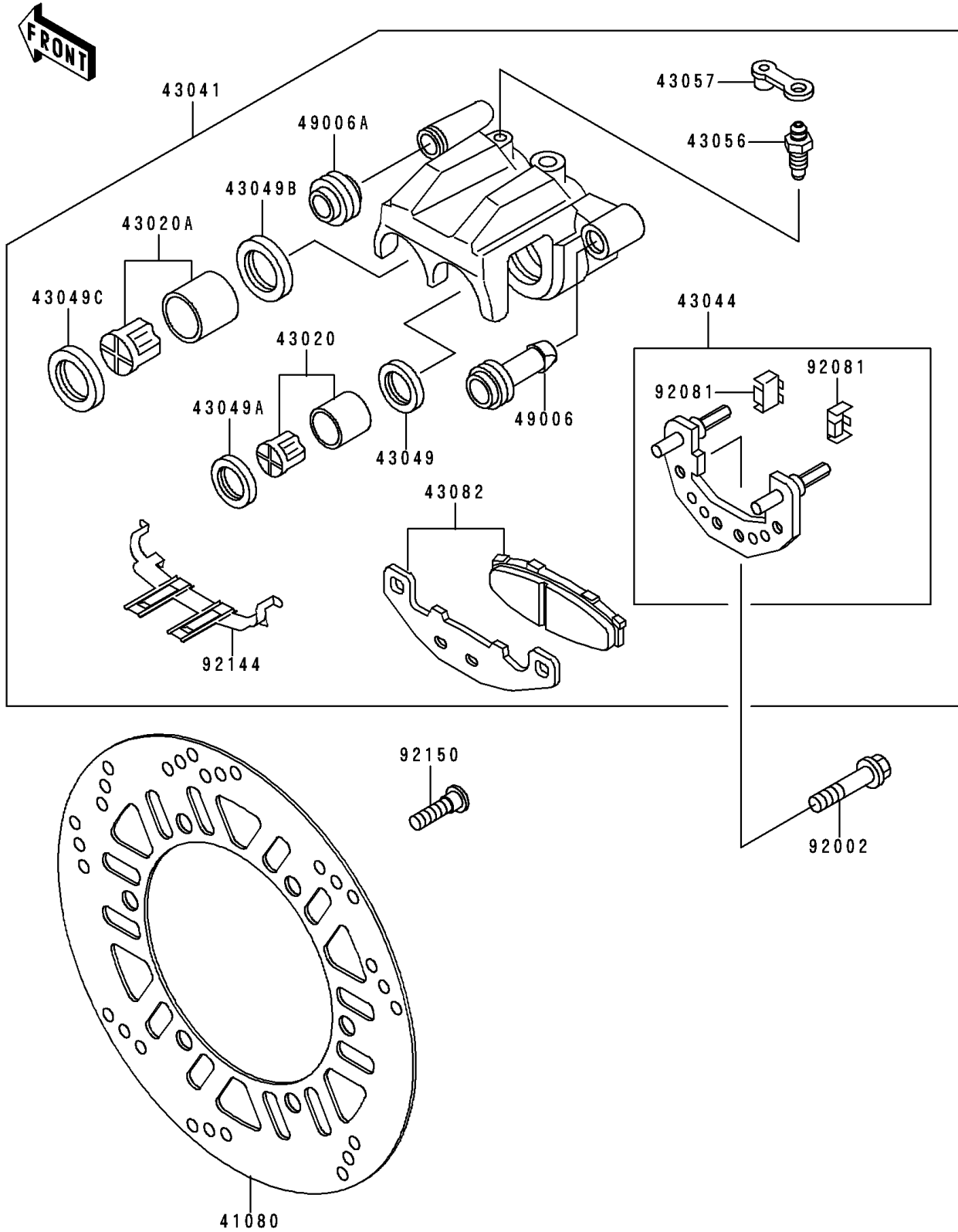


1999 Ninja® 250R PARTS DIAGRAM

Front Brake

F2292



1999 Ninja® 250R PARTS LIST

Front Brake

ITEM NAME	PART NUMBER	QUANTITY
DISC,FR (Ref # 41080)	41080-1193	1
PISTON-COMP-BRAKE (Ref # 43020)	43020-1068	1
PISTON-COMP-BRAKE (Ref # 43020A)	43020-1069	1
CALIPER-ASSY,FR,RH,BLACK (Ref # 43041)	43041-1320-DJ	1
HOLDER-COMP-CALIPER (Ref # 43044)	43044-1067	1
PACKING,PISTON SEAL (Ref # 43049)	43049-1054	1
PACKING,PISTON (Ref # 43049A)	43049-1055	1
PACKING,PISTON SEAL (Ref # 43049B)	43049-1056	1
PACKING,PISTON (Ref # 43049C)	43049-1057	1
BREATHER-BRAKE (Ref # 43056)	43056-1054	1
CAP-BREATHER (Ref # 43057)	43057-003	1
PAD-ASSY-BRAKE (Ref # 43082)	43082-1068	1
BOOT,CALIPER (Ref # 49006)	49006-1094	1
BOOT,CALIPER (Ref # 49006A)	49006-1095	1
BOLT,FLANGED,10X41 (Ref # 92002)	92002-1484	2
SPRING,PAD STOPPER (Ref # 92081)	92081-1661	2
SPRING,PAD (Ref # 92144)	92144-1070	1
BOLT,SOCKET,8X30 (Ref # 92150)	92150-1771	6