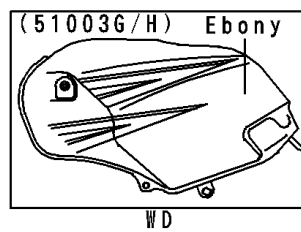
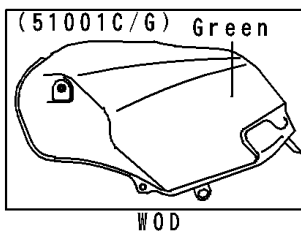
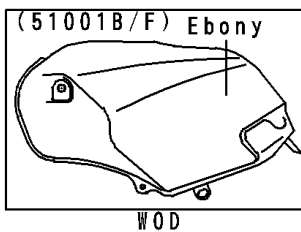
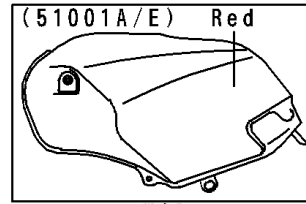
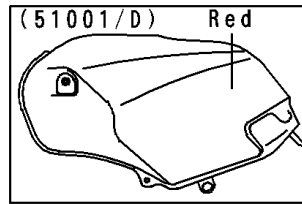
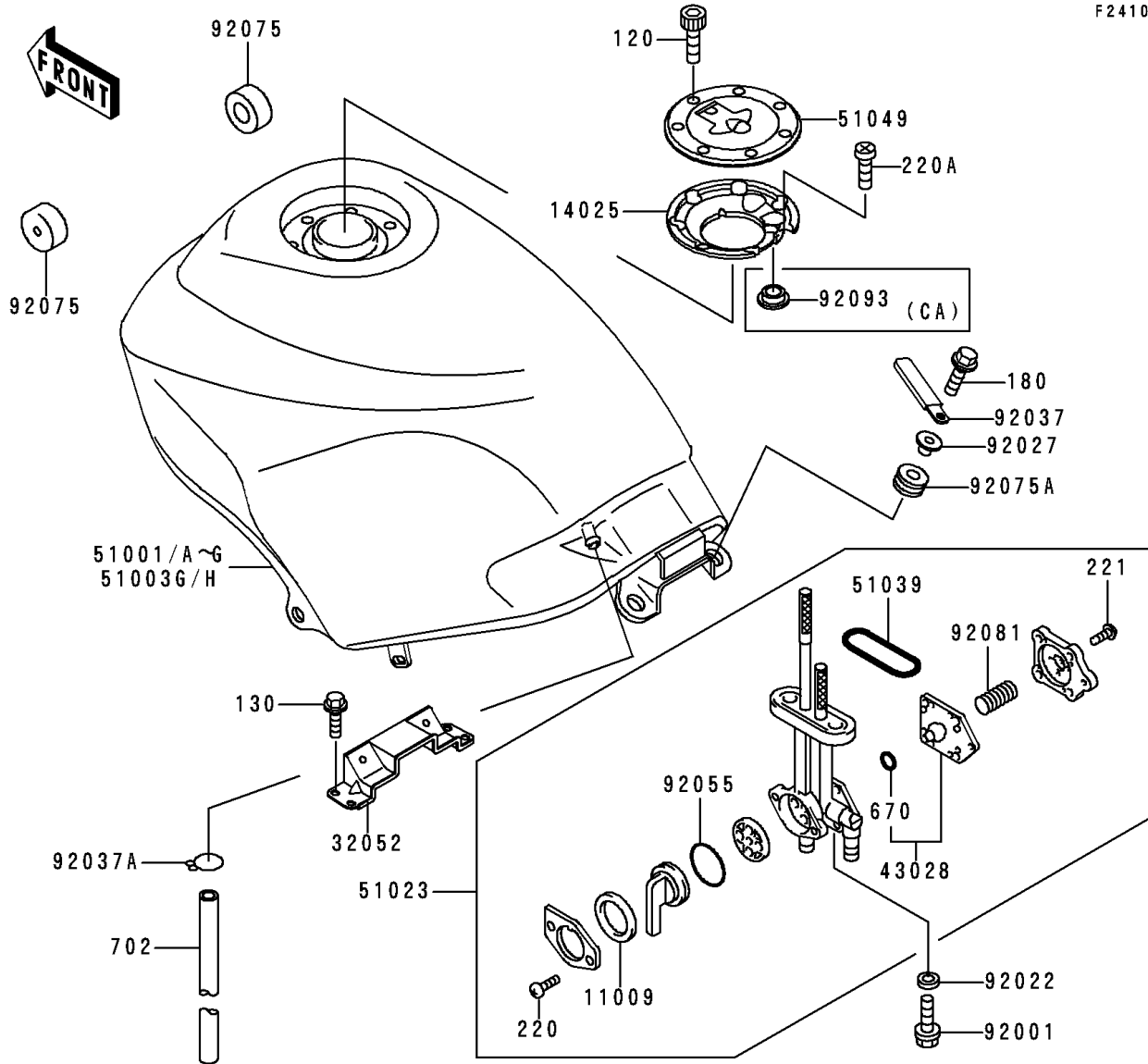


# 1996 Ninja® 250R PARTS DIAGRAM

Fuel Tank

F2410



# 1996 Ninja® 250R PARTS LIST

## Fuel Tank

ITEM NAME	PART NUMBER	QUANTITY
GASKET,TAP VALVE (Ref # 11009)	11009-1188	1
COVER,TANK CAP (Ref # 14025)	14025-1913	1
BRACKET-TANK,RR (Ref # 32052)	32052-1254	1
DIAPHRAGM,TAP (Ref # 43028)	43028-1068	1
BOLT-SOCKET (Ref # 120)	120S0512	7
TAP-ASSY,FUEL (Ref # 51023)	51023-1139	1
RING,TAP FLANGED (Ref # 51039)	51039-003	1
CAP-TANK,FUEL (Ref # 51049)	51049-1079	1
BOLT,6X20 (Ref # 92001)	92001-1091	2
WASHER,6.2X11X1.5 (Ref # 92022)	92022-183	2
COLLAR,L=13.1 (Ref # 92027)	92027-251	2
CLAMP,WIRING HARNESS,L=60 (Ref # 92037)	92037-1069	1
CLAMP (Ref # 92037A)	92037-1712	1
RING-O,TAP LEVER (Ref # 92055)	92055-1085	1
DAMPER,FUEL TANK,FR (Ref # 92075)	92075-1115	2
DAMPER (Ref # 92075A)	92075-1690	2
SPRING,TAP DIAPHRAGM (Ref # 92081)	92081-1240	1
BOLT-FLANGED,6X10 (Ref # 130)	130G0610	4
BOLT-UPSET-WS,6X25 (Ref # 180)	180D0625	2
SCREW-PAN-CROS (Ref # 220)	220C0308	2
SCREW-PAN-CROS (Ref # 220A)	220C0508	1
SCREW-CSK-CROS,4X14 (Ref # 221)	221B0414	5
O RING,4MM (Ref # 670)	670B1504	1
TUBE-RUBBER,7X10X1000 (Ref # 702)	702A071000	1
TANK-COMP-FUEL,EBONY (Ref # 51003G)	51003-5480-H8	1
TANK-COMP-FUEL,EBONY (Ref # 51003H)	51003-5481-H8	1
SEAL,FUEL TANK CAP (Ref # 92093)	92093-1030	1