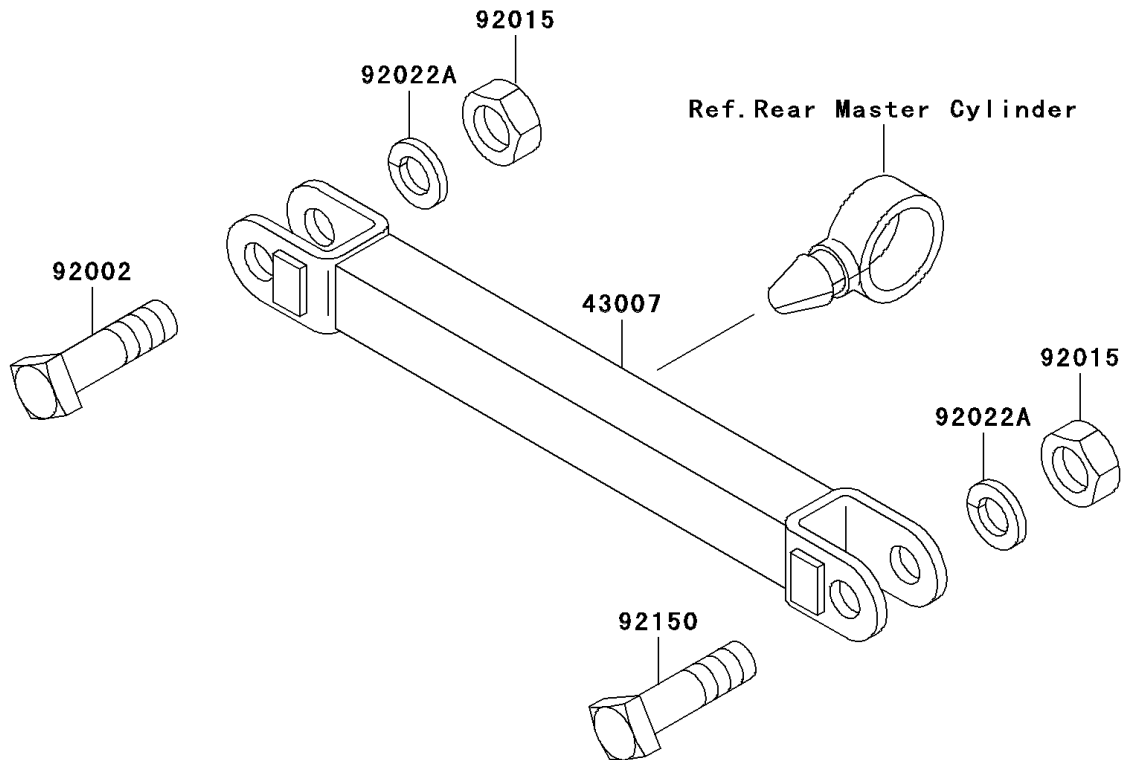
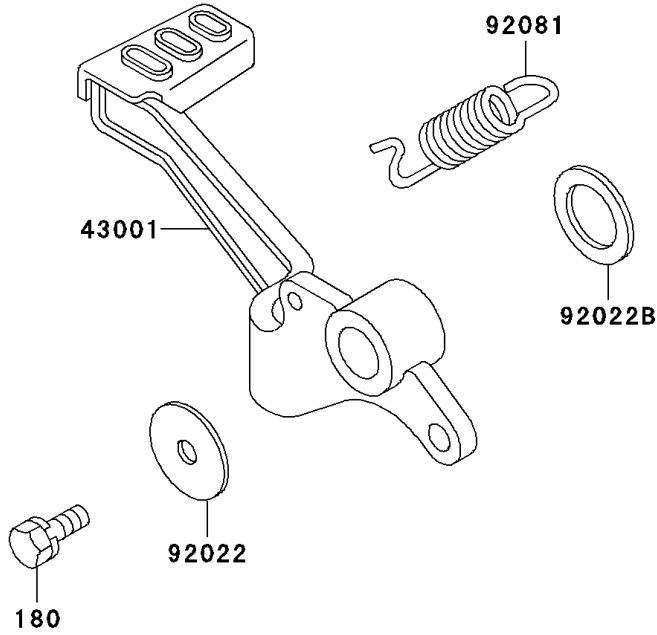


2003 Ninja® 250R PARTS DIAGRAM

Brake Pedal/Torque Link

F2260



2003 Ninja® 250R PARTS LIST

Brake Pedal/Torque Link

| ITEM NAME | PART NUMBER | QUANTITY |
|-----------------------------------|-------------|----------|
| BOLT-UPSET-WS (Ref # 180) | 180D0616 | 1 |
| LEVER-BRAKE,PEDAL (Ref # 43001) | 43001-1226 | 1 |
| ROD-TORQUE (Ref # 43007) | 43007-1134 | 1 |
| BOLT,10X32 (Ref # 92002) | 92002-1708 | 1 |
| NUT,LOCK,10MM (Ref # 92015) | 92015-1962 | 2 |
| WASHER,7X28X1.6 (Ref # 92022) | 92022-1282 | 1 |
| WASHER,SPRING,10MM (Ref # 92022A) | 92022-1540 | 2 |
| WASHER,15.3X24X1 (Ref # 92022B) | 92022-326 | 1 |
| SPRING,BRAKE PEDAL (Ref # 92081) | 92081-1833 | 1 |
| BOLT,10X37 (Ref # 92150) | 92150-1901 | 1 |