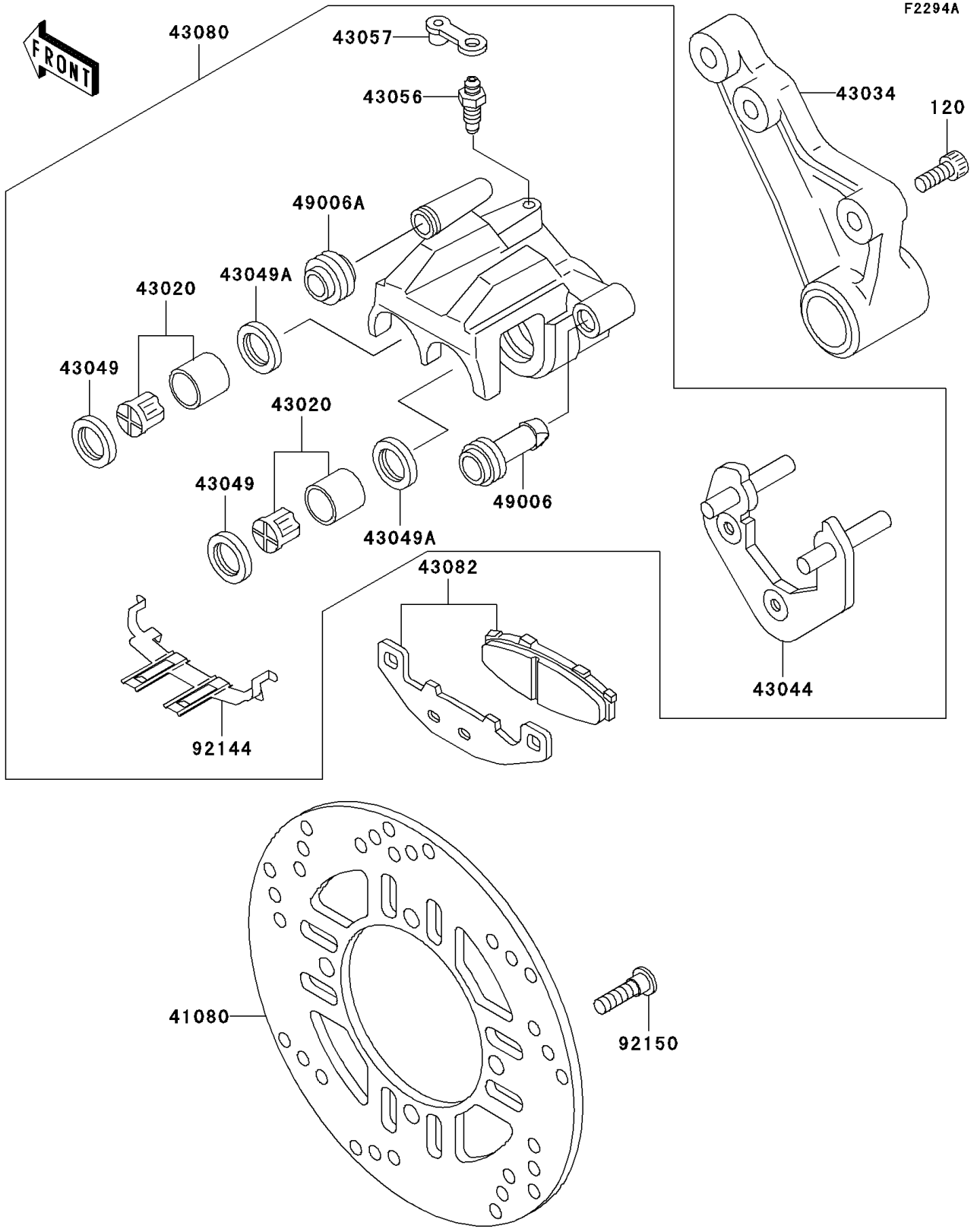


2004 Ninja® 250R PARTS DIAGRAM

Rear Brake(F18/F19)



2004 Ninja® 250R PARTS LIST

Rear Brake(F18/F19)

ITEM NAME	PART NUMBER	QUANTITY
BOLT-SOCKET,8X20 (Ref # 120)	120S0820	2
DISC,RR,SILVER (Ref # 41080)	41080-0031-CM	1
PISTON-COMP-BRAKE (Ref # 43020)	43020-1074	2
HOLDER-BRAKE,REAR CALIPER (Ref # 43034)	43034-1081	1
HOLDER-COMP-CALIPER (Ref # 43044)	43044-1072	1
PACKING,PISTON (Ref # 43049)	43049-1059	2
PACKING,PISTON SEAL (Ref # 43049A)	43049-1090	2
BREATHER-BRAKE (Ref # 43056)	43056-1054	1
CAP-BREATHER (Ref # 43057)	43057-003	1
CALIPER-SUB-ASSY,RR,BLACK (Ref # 43080)	43080-5103-DJ	1
PAD-ASSY-BRAKE (Ref # 43082)	43082-1145	1
BOOT,CALIPER (Ref # 49006)	49006-1054	1
BOOT,CALIPER (Ref # 49006A)	49006-1055	1
SPRING,PAD (Ref # 92144)	92144-1152	1
BOLT,SOCKET,8X30 (Ref # 92150)	92150-1771	4