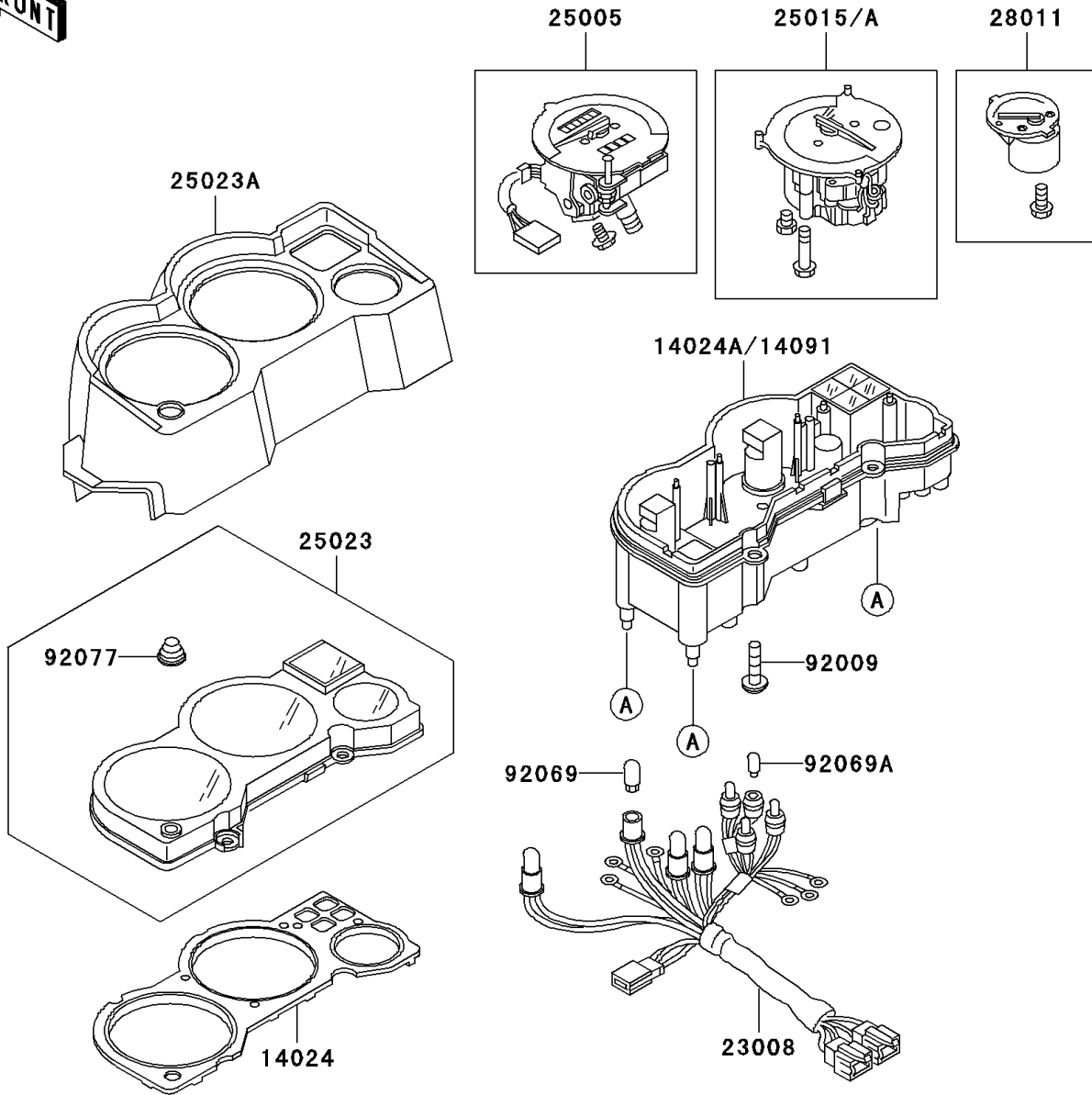


# 2004 Ninja® 250R PARTS DIAGRAM

Meter(s)

F2530



- (A)
- 92075
- 25009
- 92015

## 2004 Ninja® 250R PARTS LIST

Meter(s)

ITEM NAME	PART NUMBER	QUANTITY
COVER,METER (Ref # 14024)	14024-1463	1
COVER,METER HOUSING (Ref # 14091)	14091-0127	1
SOCKET-ASSY,METER (Ref # 23008)	23008-1367	1
SPEEDOMETER,MPH (Ref # 25005)	25005-1388	1
WASHER,5.2X16X1.2 (Ref # 25009)	25009-004	3
TACHOMETER,X1000R/MIN (Ref # 25015)	25015-0001	1
COVER-METER CASE,UPP (Ref # 25023)	25023-1158	1
COVER-METER CASE (Ref # 25023A)	25023-1159	1
METER,TEMP (Ref # 28011)	28011-1100	1
SCREW,TAPPING,4X16 (Ref # 92009)	92009-1163	4
NUT,FLANGED,5MM (Ref # 92015)	92015-1259	3
BULB,12V 3.4W,T10 (Ref # 92069)	92069-1007	3
BULB,12V 3W,T6.5 (Ref # 92069A)	92069-1068	4
DAMPER,METER BRACKET (Ref # 92075)	92075-1385	3
BOOT,TRIP RESET KNOB (Ref # 92077)	92077-1061	1