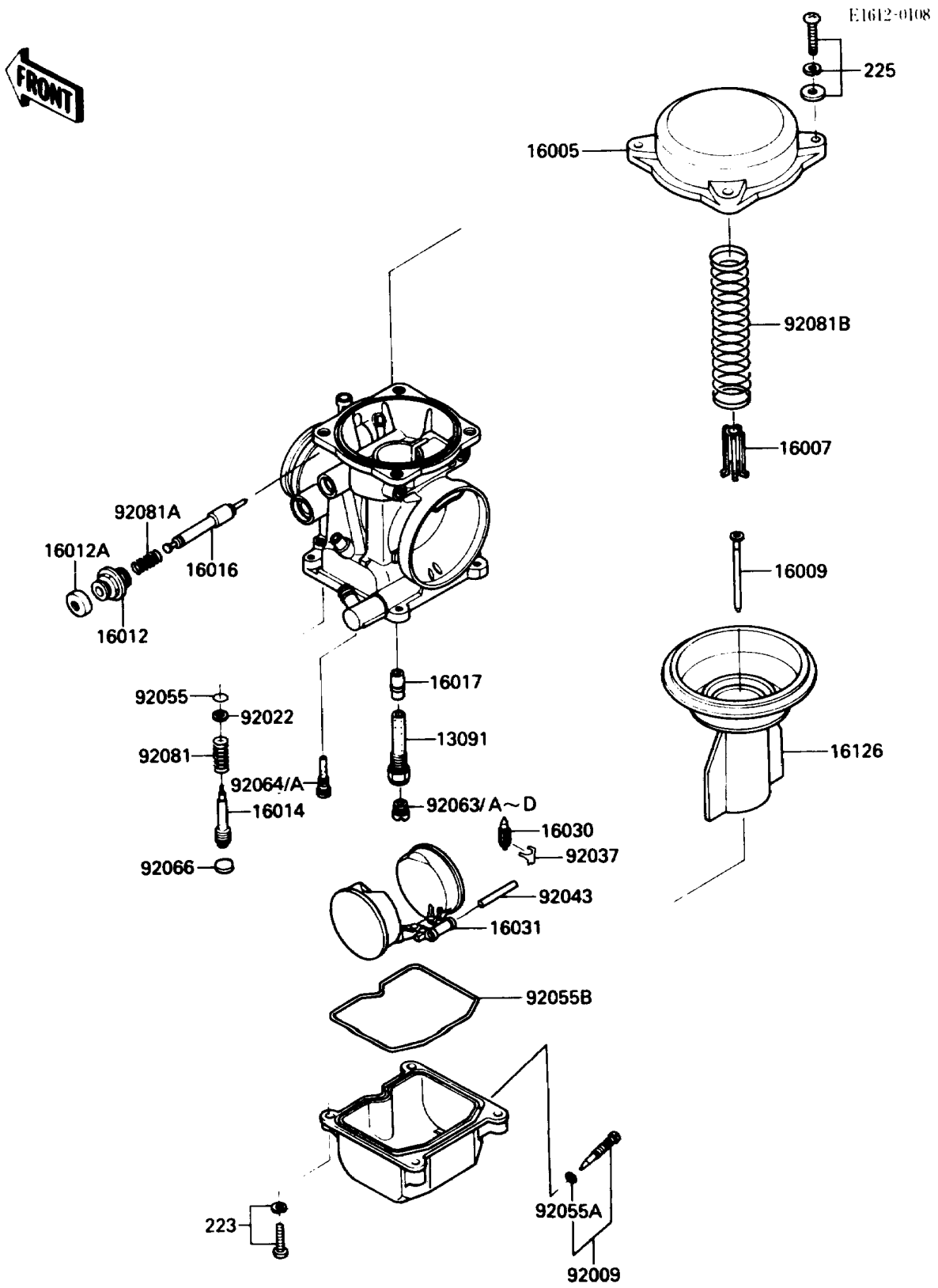


1988 NINJA® 250R PARTS DIAGRAM

Carburetor Parts



1988 NINJA® 250R PARTS LIST

Carburetor Parts

ITEM NAME	PART NUMBER	QUANTITY
HOLDER,NEEDLE JET (Ref # 13091)	13091-1425	2
TOP-CHAMBER,MIXING (Ref # 16005)	16005-1056	2
SEAT-SPRING,THROTTLE VALVE (Ref # 16007)	16007-1120	2
NEEDLE-JET,N16I (Ref # 16009)	16009-1461	2
CAP-STARTER PLUNGER (Ref # 16012)	16012-1051	2
CAP-STARTER PLUNGER (Ref # 16012A)	16012-1052	2
SCREW-PILOT AIR (Ref # 16014)	16014-1054	2
PLUNGER,STARTER (Ref # 16016)	16016-1061	2
JET-NEEDLE (Ref # 16017)	16017-1326	2
VALVE-FLOAT (Ref # 16030)	16030-1007	2
FLOAT (Ref # 16031)	16031-1056	2
VALVE,VACUUM (Ref # 16126)	16126-1198	2
SCREW,DRAIN,M6X1.0 (Ref # 92009)	92009-1095	2
WASHER,PLAIN (Ref # 92022)	92022-1003	2
CLAMP,FLOAT VALVE (Ref # 92037)	16044-007	2
PIN,FLOAT (Ref # 92043)	92043-1207	2
RING-O,PILOT ADJUST (Ref # 92055)	92055-1002	2
RING-O,DRAIN SCREW (Ref # 92055A)	92055-1053	2
RING-O,FLOAT CHAMBER (Ref # 92055B)	92055-1222	2
JET-MAIN,2ND,#100 (Ref # 92063)	92063-1008	2
JET-MAIN,2ND,#105 (Ref # 92063A)	92063-1009	2
JET-MAIN,#110 (Ref # 92063B)	92063-1114	2
JET-MAIN,#102 (Ref # 92063C)	92063-1115	2
JET-MAIN,#108 (Ref # 92063D)	92063-1116	2
JET-PILOT,#35 (Ref # 92064)	92064-1035	2
JET-PILOT,#38 (Ref # 92064A)	92064-1050	2
PLUG,PILOT AIR SCREW,6.9X2 (Ref # 92066)	92066-1051	2
SPRING,PILOT ADJUST SCREW (Ref # 92081)	92081-1002	2
SPRING,STARTER PLUNGER (Ref # 92081A)	92081-1761	2

1988 NINJA® 250R PARTS LIST

Carburetor Parts

ITEM NAME	PART NUMBER	QUANTITY
SPRING,VACUUM VALVE (Ref # 92081B)	92081-1925	2
SCREW-PAN-WS-CROS (Ref # 223)	223C0416	8
SCREW-PAN-WSP-CROS (Ref # 225)	225C0418	5