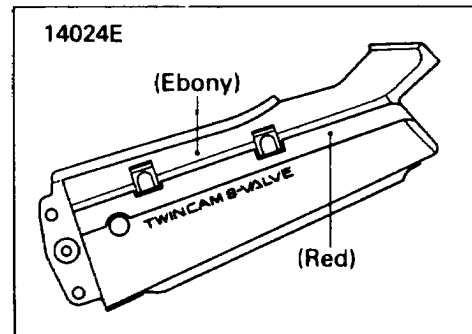
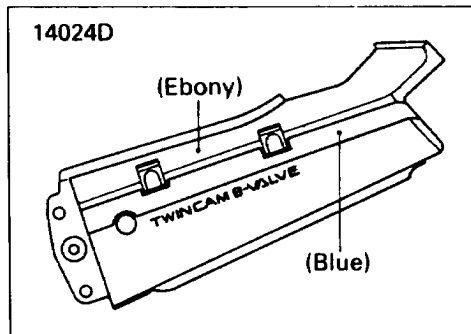
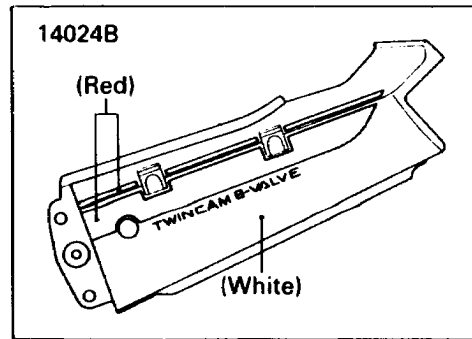
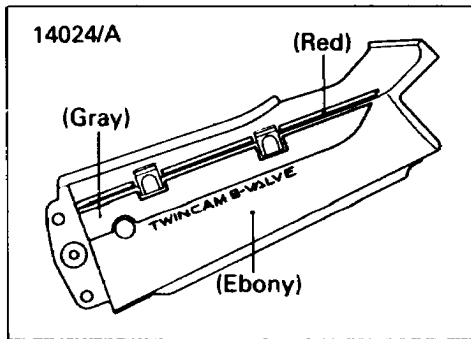
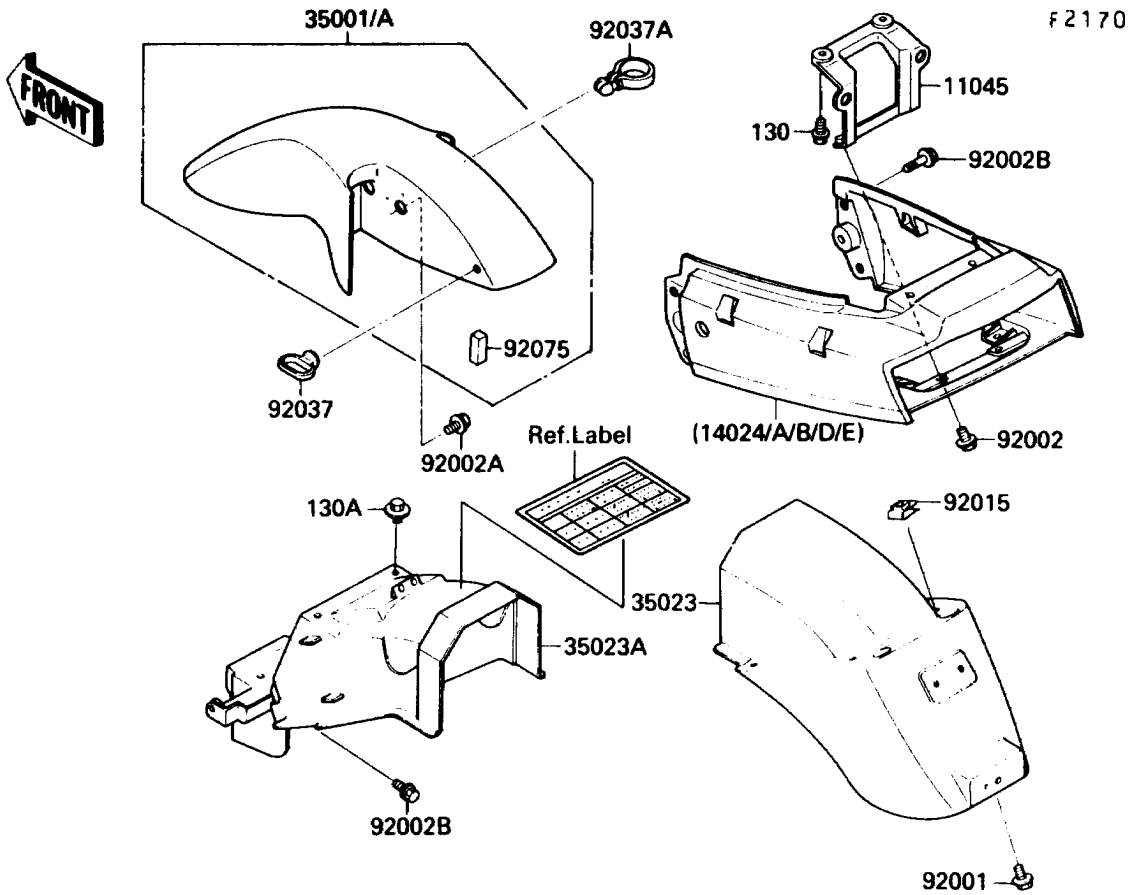


1988 NINJA® 250R PARTS DIAGRAM

Fenders



1988 NINJA® 250R PARTS LIST

Fenders

ITEM NAME	PART NUMBER	QUANTITY
BRACKET,TAIL LAMP (Ref # 11045)	11045-1639	1
COVER,TAIL,EBONY (Ref # 14024)	14024-5050-H8	1
FENDER-ASSY-FRONT,EBONY (Ref # 35001)	35001-1130-H8	1
FENDER-REAR,RR,BLACK (Ref # 35023)	35023-1220-6Z	1
FENDER-REAR,FR (Ref # 35023A)	35023-1224	1
BOLT,6X20 (Ref # 92001)	92001-1773	4
BOLT,6X25 (Ref # 92002)	92002-1135	2
BOLT,FLANGED,8X16 (Ref # 92002A)	92002-1200	4
BOLT,6X14 (Ref # 92002B)	92002-1351	4
NUT,CLAMP,6MM (Ref # 92015)	92015-1678	4
CLAMP,CABLE (Ref # 92037)	92037-1459	1
CLAMP,HOSE (Ref # 92037A)	92037-1827	1
DAMPER (Ref # 92075)	92075-1867	2
BOLT-FLANGED (Ref # 130)	130D0625	2
BOLT-FLANGED,6X16 (Ref # 130A)	130G0616	2