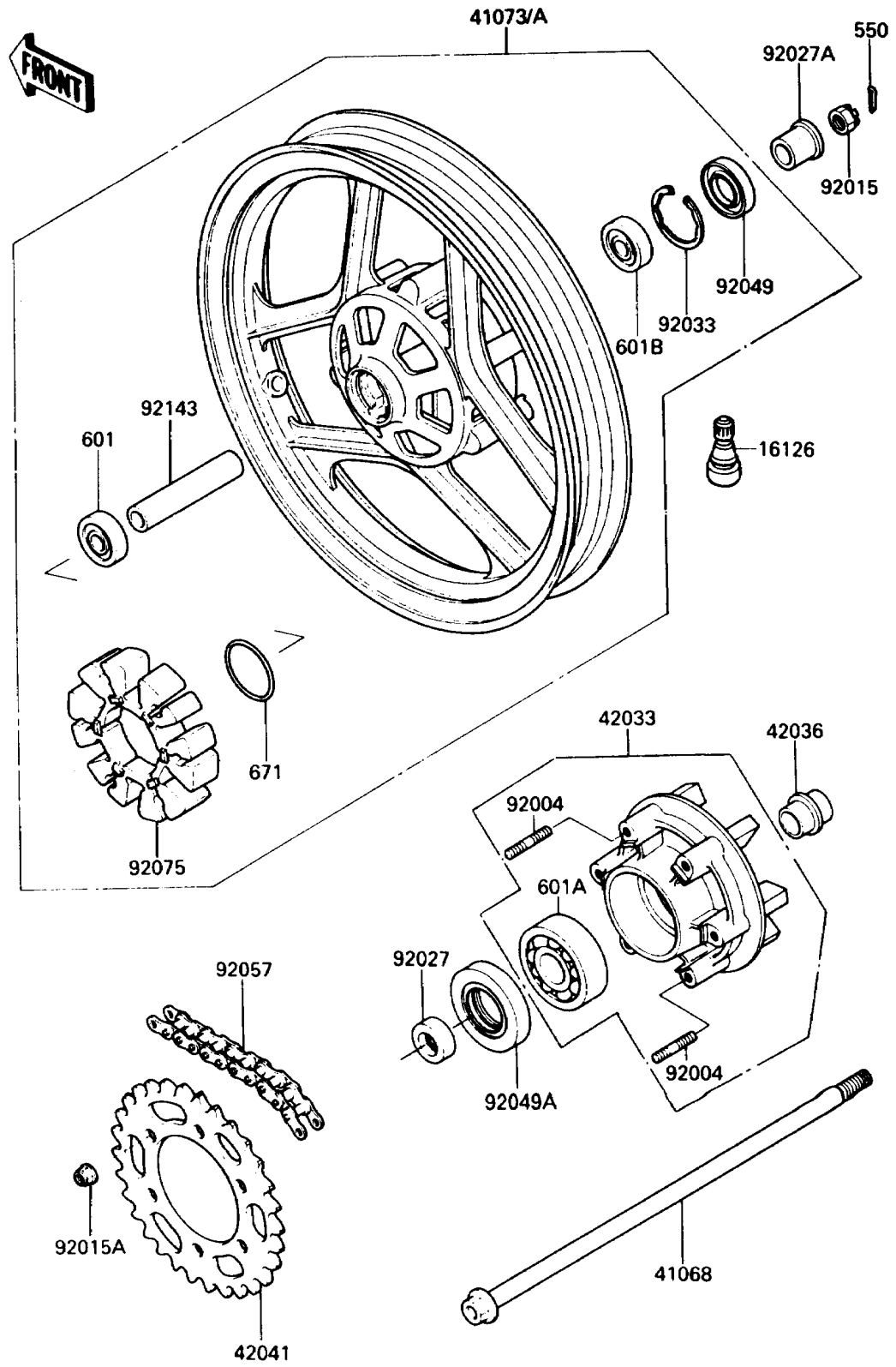


1988 NINJA® 250R PARTS DIAGRAM

Rear Wheel/Chain

F 224 U



1988 NINJA® 250R PARTS LIST

Rear Wheel/Chain

ITEM NAME	PART NUMBER	QUANTITY
VALVE,TIRE (Ref # 16126)	16126-1140	1
AXLE,RR (Ref # 41068)	41068-1221	1
WHEEL-ASSY,RR,F.RED (Ref # 41073A)	41073-1366-X4	1
COUPLING-ASSY,RR HUB (Ref # 42033)	42033-1107	1
SLEEVE,L=25 (Ref # 42036)	42036-1055	1
SPROCKET-HUB,45T (Ref # 42041)	42041-1277	1
STUD,10X19 (Ref # 92004)	92004-1111	6
NUT,CASTLE,16MM (Ref # 92015)	42045-014	1
NUT,FLANGED,10MM (Ref # 92015A)	92015-1335	6
COLLAR,RR HUB (Ref # 92027)	92027-1784	1
COLLAR,RR HUB (Ref # 92027A)	92027-1785	1
RING-SNAP,47MM (Ref # 92033)	92033-1042	1
SEAL-OIL,BJN28475 (Ref # 92049)	92049-1056	1
SEAL-OIL,TWC35527 (Ref # 92049A)	92052-006	1
CHAIN,DRIVE,EK520MV-OX106L (Ref # 92057)	92057-1260	1
DAMPER,RR HUB SHOCK (Ref # 92075)	92075-1436	1
COLLAR,17.2X25X97 (Ref # 92143)	92143-1119	1
PIN-COTTER,4.0X35 (Ref # 550)	550D4035	1
BEARING-BALL,#6203UUC3 (Ref # 601)	601B6203UU	1
BEARING-BALL,#6205G (Ref # 601A)	601B6205G	1
BEARING-BALL,#6303UUC3 (Ref # 601B)	601B6303UU	1
O RING (Ref # 671)	671B2550	1