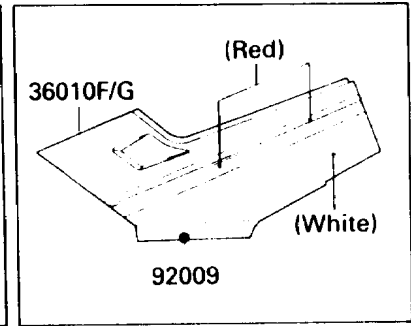
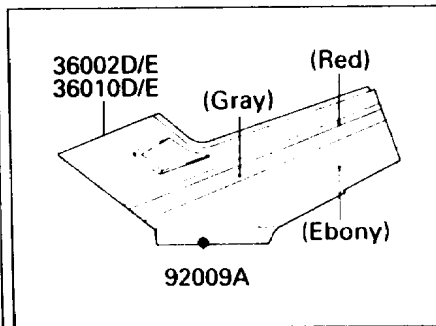
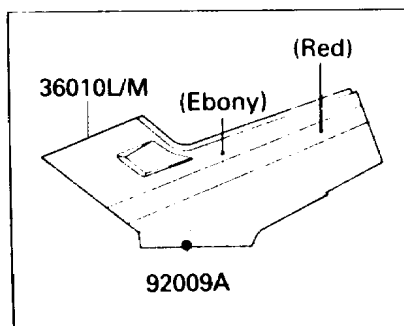
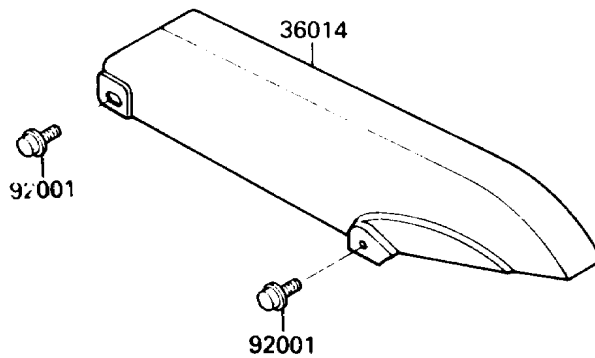
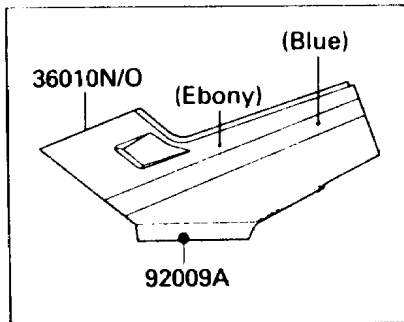
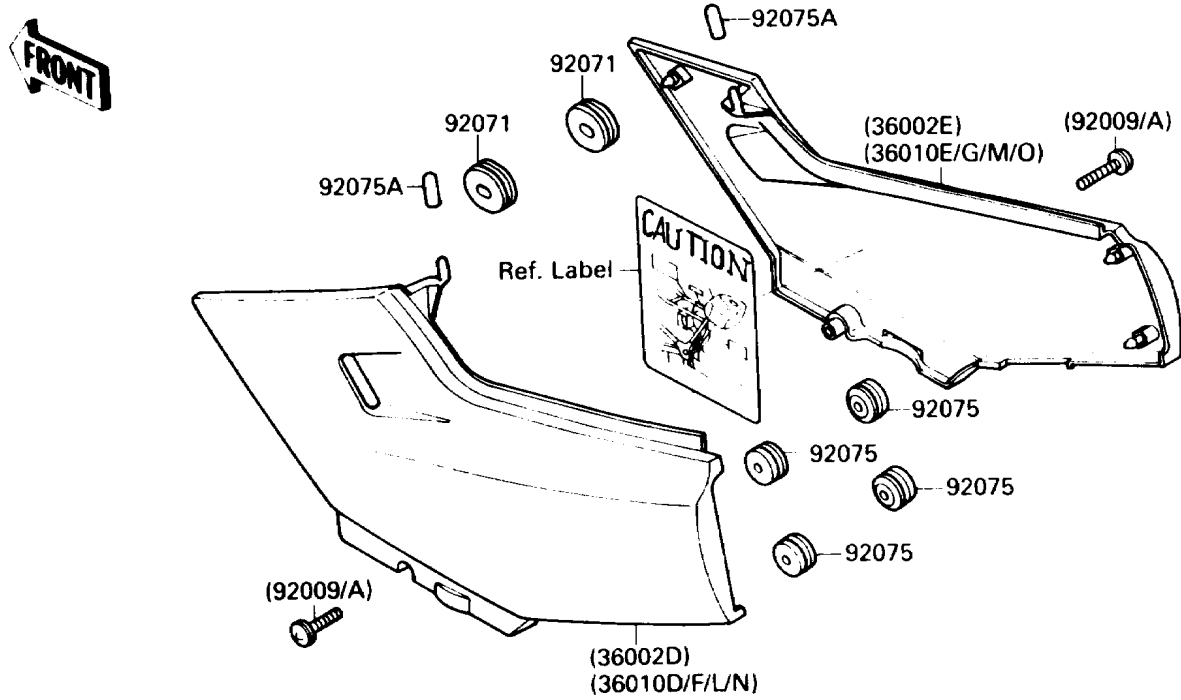


1990 Ninja® 250R PARTS DIAGRAM

Side Covers/Chain Cover

F2610



1990 Ninja® 250R PARTS LIST

Side Covers/Chain Cover

ITEM NAME	PART NUMBER	QUANTITY
COVER-SIDE,LH,EBONY/SILVER 25 (Ref # 36010L)	36010-5270-DE	1
COVER-SIDE,RH,EBONY/SILVER 25 (Ref # 36010M)	36010-5271-DE	1
COVER-SIDE,LH,EBONY/GRAY (Ref # 36010N)	36010-5272-T4	1
COVER-SIDE,RH,EBONY/GRAY (Ref # 36010O)	36010-5273-T4	1
CASE-CHAIN (Ref # 36014)	36014-1147	1
BOLT,6X14,BLACK (Ref # 92001)	92001-1847	2
SCREW,6X28,BLACK (Ref # 92009A)	92009-1400	2
GROMMET (Ref # 92071)	92071-1043	2
DAMPER (Ref # 92075)	92075-1067	4
DAMPER,SIDE COVER (Ref # 92075A)	92075-1964	2