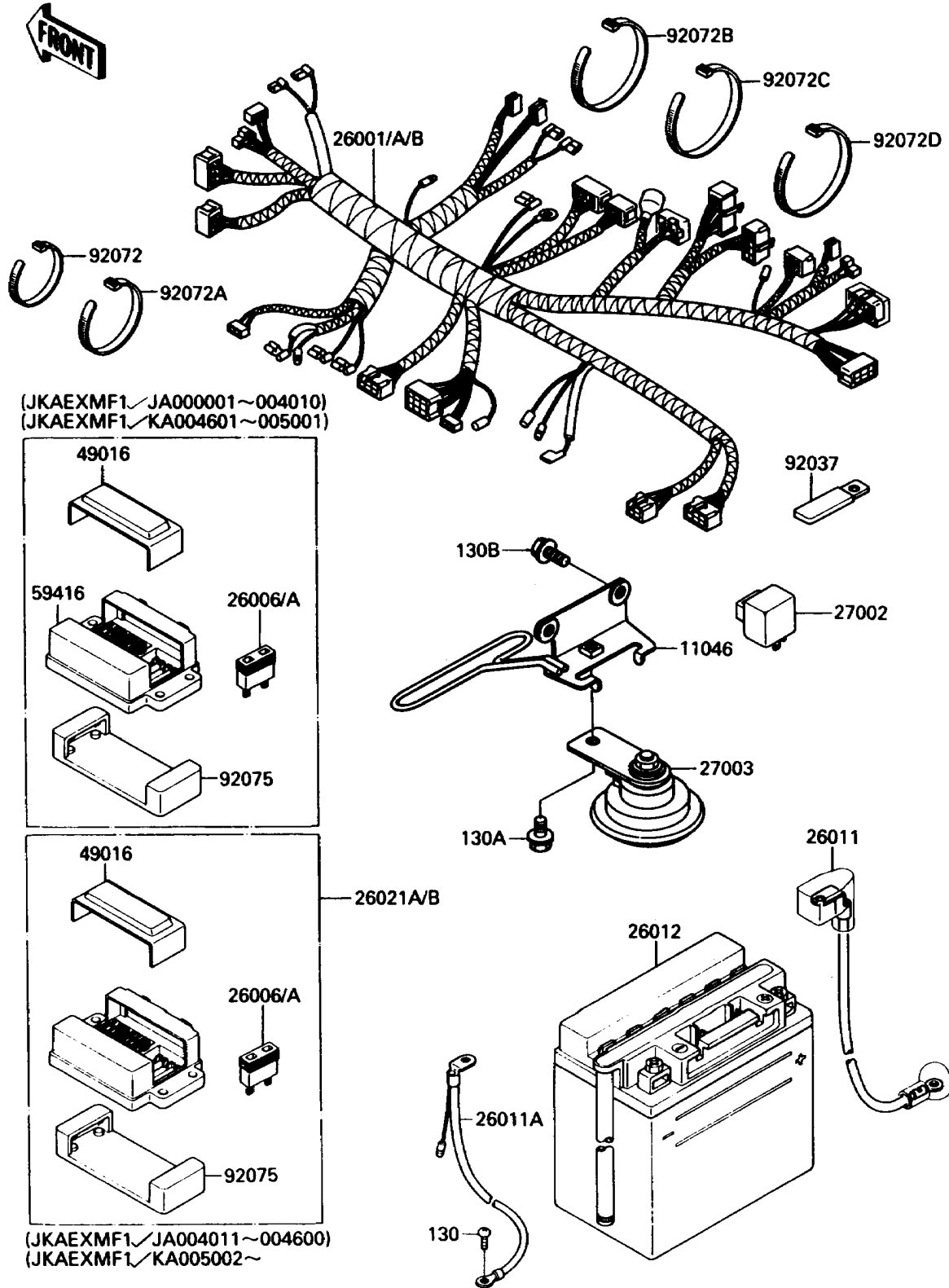


1989 Ninja® 250R PARTS DIAGRAM

Chassis Electrical Equipment

F2760



1989 Ninja® 250R PARTS LIST

Chassis Electrical Equipment

ITEM NAME	PART NUMBER	QUANTITY
BRACKET,HORN&CABLE (Ref # 11046)	11046-1233	1
HARNESS,MAIN (Ref # 26001)	26001-1899	1
HARNESS,MAIN (Ref # 26001A)	26001-1929	1
HARNESS,MAIN (Ref # 26001B)	26001-1929	1
FUSE,30A-G (Ref # 26006)	26006-1006	1
FUSE,30A-G (Ref # 26006)	26006-1006	1
FUSE,10A-R (Ref # 26006A)	26006-1007	5
FUSE,10A-R (Ref # 26006A)	26006-1007	5
WIRE-LEAD,BATTERY(+) (Ref # 26011)	26011-1352	1
WIRE-LEAD,BATTERY(-) (Ref # 26011A)	26011-1353	1
BATTERY,12V 8AH,FB9L-A2K(K2) (Ref # 26012)	26012-1205	1
JUNCTION BOX (Ref # 26021A)	26021-1071	1
JUNCTION BOX (Ref # 26021B)	26021-1071	1
RELAY-ASSY,TURN SIGNAL (Ref # 27002)	27002-1053	1
HORN (Ref # 27003)	27003-1288	1
COVER-SEAL,FUSE (Ref # 49016)	49016-1125	1
COVER-SEAL,FUSE (Ref # 49016)	49016-1125	1
CASE-ELECTRIC,JUNCTION BOX (Ref # 59416)	59416-1059	1
CLAMP,WIRING HARNESS (Ref # 92037)	92037-1069	5
BAND,L=123 (Ref # 92072)	92072-030	3
BAND,L=149 (Ref # 92072A)	92072-031	2
BAND,L=218 (Ref # 92072B)	92072-032	1
BAND,L=186 (Ref # 92072C)	92072-056	1
BAND,L=185 (Ref # 92072D)	92072-1195	2
DAMPER,JUNCTION BOX (Ref # 92075)	92075-1688	1
DAMPER,JUNCTION BOX (Ref # 92075)	92075-1688	1
BOLT-FLANGED,6X12 (Ref # 130)	130B0612	1
BOLT-FLANGED,6X12 (Ref # 130A)	130C0612	1
BOLT-FLANGED,6X14 (Ref # 130B)	130G0614	2