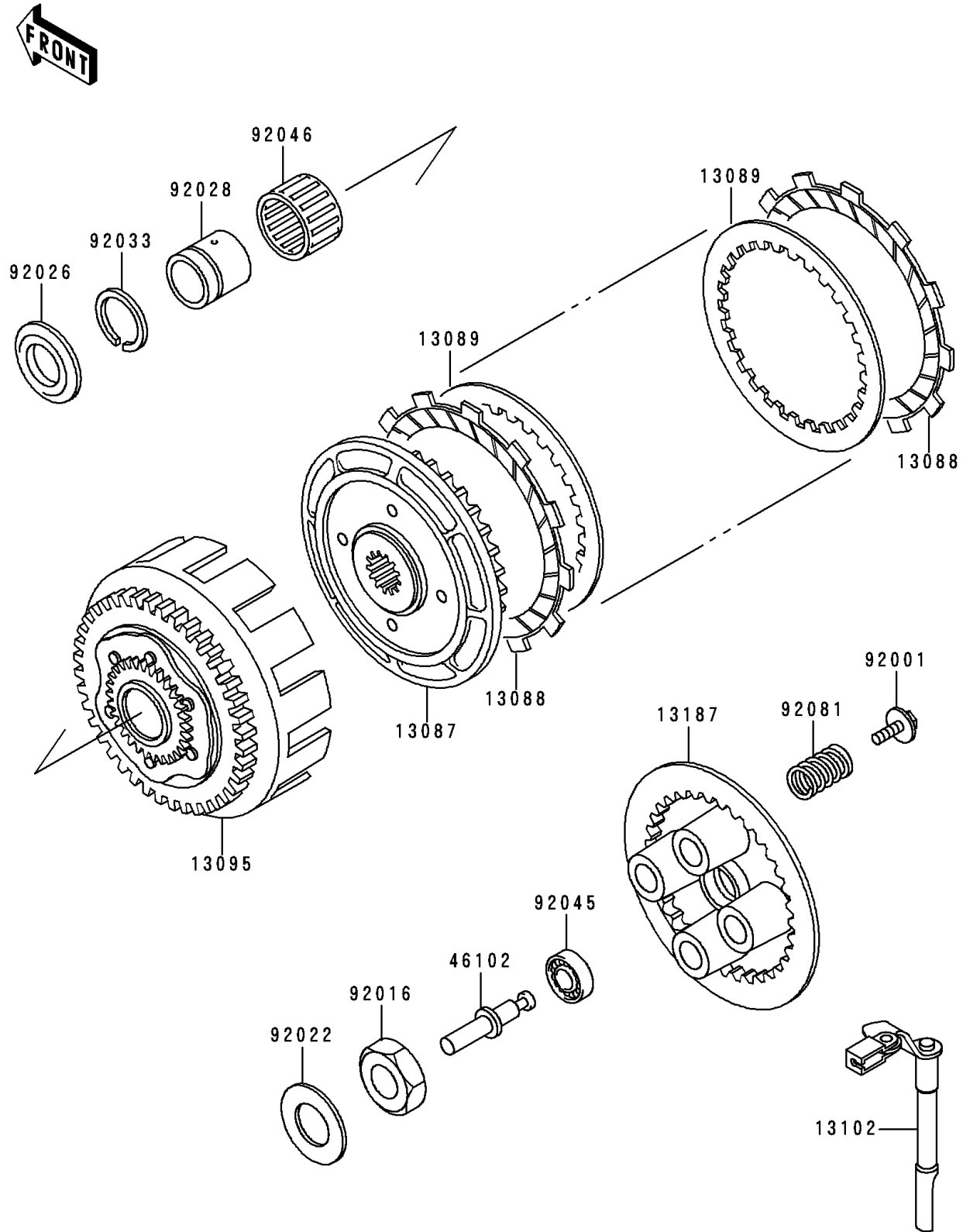


1994 Ninja® 250R PARTS DIAGRAM

Clutch

E1350



1994 Ninja® 250R PARTS LIST

Clutch

| ITEM NAME | PART NUMBER | QUANTITY |
|--|-------------|----------|
| HUB-CLUTCH (Ref # 13087) | 13087-1076 | 1 |
| PLATE-FRICTION (Ref # 13088) | 13088-1013 | 5 |
| PLATE-CLUTCH,T=2.0 (Ref # 13089) | 13089-026 | 4 |
| HOUSING-COMP-CLUTCH (Ref # 13095) | 13095-1145 | 1 |
| RELEASE-COMP-CLUTCH (Ref # 13102) | 13102-1079 | 1 |
| PLATE-CLUTCH OPERATING (Ref # 13187) | 13187-1057 | 1 |
| ROD,CLUTCH (Ref # 46102) | 46102-1030 | 1 |
| BOLT,FLANGED,6X18 (Ref # 92001) | 92001-1066 | 4 |
| NUT,20MM (Ref # 92016) | 92016-028 | 1 |
| WASHER,20.3X36X2.3 (Ref # 92022) | 92022-1116 | 1 |
| SPACER,THRUST,T=5.5 (Ref # 92026) | 92026-116 | 1 |
| BUSHING,CLUTCH (Ref # 92028) | 92028-1414 | 1 |
| RING-SNAP (Ref # 92033) | 92033-1212 | 1 |
| BEARING-BALL,6001C3ML01 (Ref # 92045) | 92045-1235 | 1 |
| BEARING-NEEDLE,KTV323723 (Ref # 92046) | 92046-028 | 1 |
| SPRING,CLUTCH (Ref # 92081) | 92081-139 | 4 |