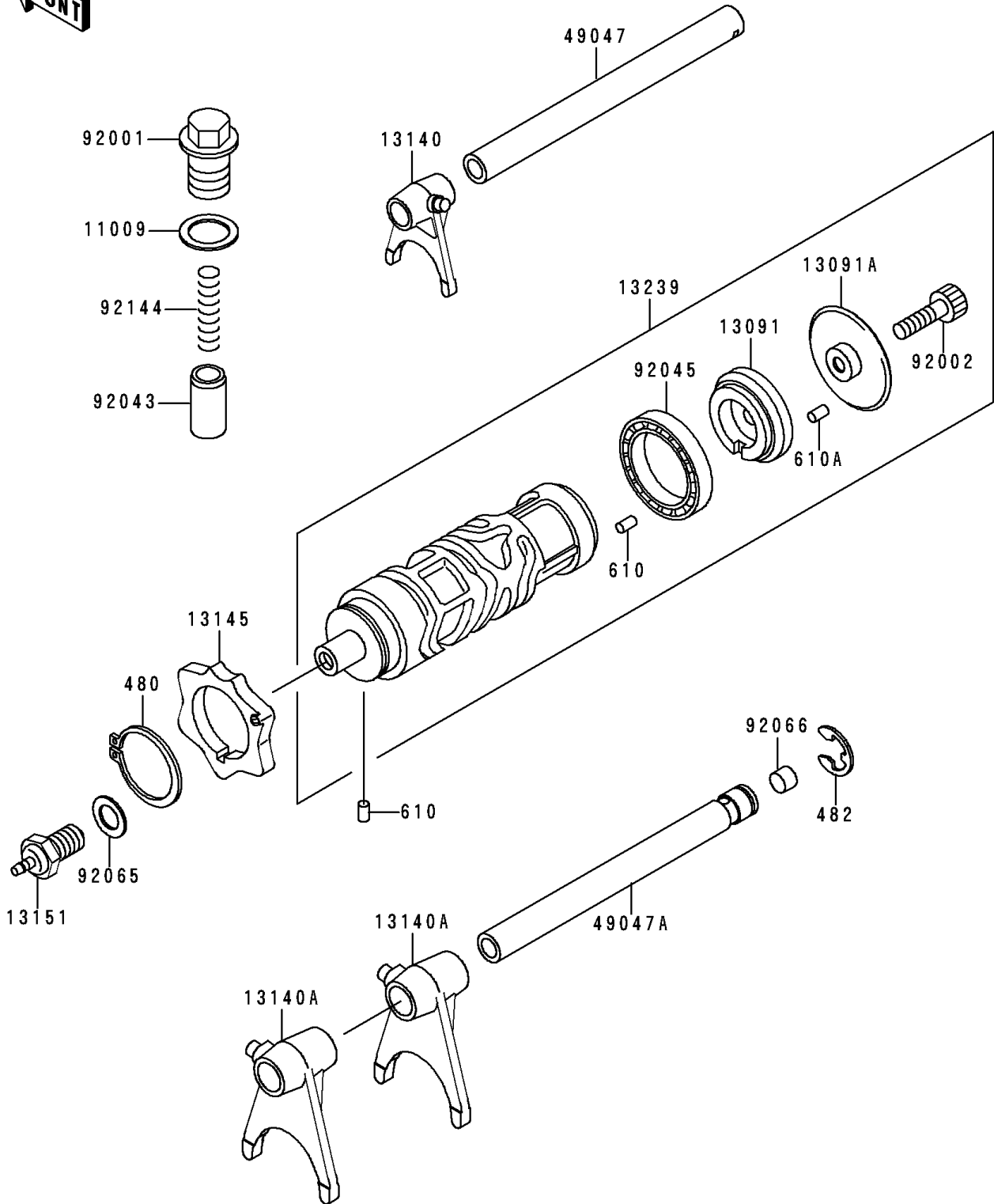


1995 Ninja® 250R PARTS DIAGRAM

Gear Change Drum/Shift Fork(s)

E1362



1995 Ninja® 250R PARTS LIST

Gear Change Drum/Shift Fork(s)

| ITEM NAME | PART NUMBER | QUANTITY |
|---|-------------|----------|
| CIRCLIP-TYPE-C,30MM (Ref # 480) | 480J3000 | 1 |
| CIRCLIP-TYPE-E,10MM (Ref # 482) | 482J0100 | 1 |
| ROLLER,4X6 (Ref # 610) | 610A0406 | 2 |
| ROLLER,4X8 (Ref # 610A) | 610A0408 | 6 |
| GASKET,15.5X22X1 (Ref # 11009) | 11009-1008 | 1 |
| HOLDER (Ref # 13091) | 13091-1417 | 1 |
| HOLDER,CHANGE DRUM (Ref # 13091A) | 13091-1464 | 1 |
| FORK-SHIFT,IN (Ref # 13140) | 13140-1148 | 1 |
| FORK-SHIFT,OUT (Ref # 13140A) | 13140-1149 | 2 |
| CAM-CHANGE DRUM (Ref # 13145) | 13145-1058 | 1 |
| SWITCH-COMP,NEUTRAL (Ref # 13151) | 13151-1007 | 1 |
| DRUM-ASSY-CHANGE (Ref # 13239) | 13239-1131 | 1 |
| ROD-SHIFT,IN (Ref # 49047) | 49047-1066 | 1 |
| ROD-SHIFT,OUT (Ref # 49047A) | 49047-1067 | 1 |
| BOLT,NEUTRAL POSITION (Ref # 92001) | 92001-1037 | 1 |
| BOLT,SOCKET,6X25 (Ref # 92002) | 92002-1696 | 1 |
| PIN (Ref # 92043) | 92043-076 | 1 |
| BEARING-BALL,6806 (Ref # 92045) | 92045-1152 | 1 |
| GASKET,10.5X16X1,DRAIN PLUG (Ref # 92065) | 92065-058 | 1 |
| PLUG (Ref # 92066) | 92066-1246 | 1 |
| SPRING,NEUTRAL POSITION (Ref # 92144) | 92144-1580 | 1 |