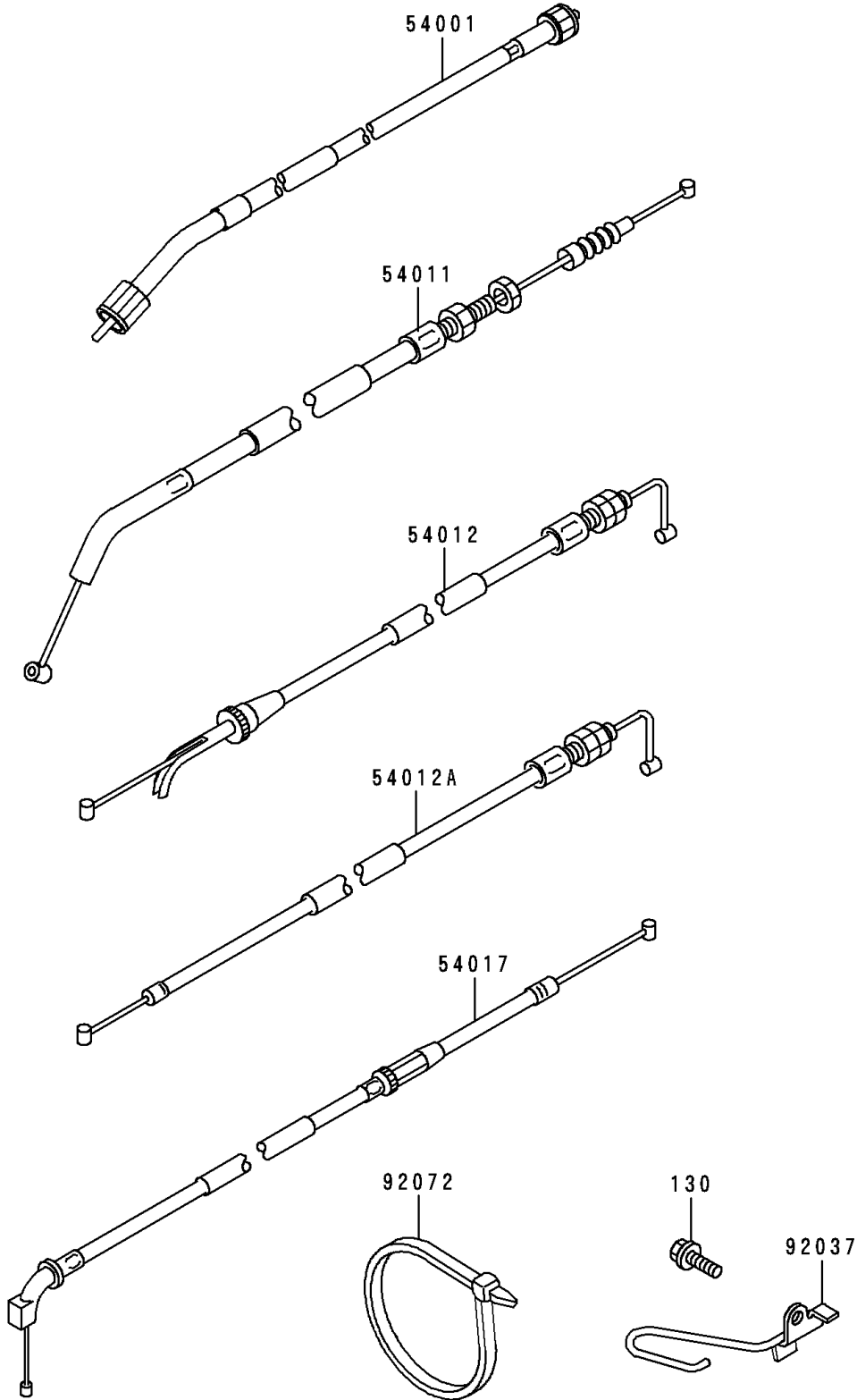


# 1995 Ninja® 250R PARTS DIAGRAM

Cables

F2540



# 1995 Ninja® 250R PARTS LIST

## Cables

ITEM NAME	PART NUMBER	QUANTITY
BOLT-FLANGED,6X10,BLACK (Ref # 130)	130C0610	1
CABLE-SPEEDOMETER (Ref # 54001)	54001-1123	1
CABLE-CLUTCH (Ref # 54011)	54011-1295	1
CABLE-THROTTLE,OPENING (Ref # 54012)	54012-1291	1
CABLE-THROTTLE,CLOSING (Ref # 54012A)	54012-1292	1
CABLE-STARTER (Ref # 54017)	54017-1124	1
CLAMP,CABLE (Ref # 92037)	92037-1920	1
BAND,L=365 (Ref # 92072)	92072-1197	1