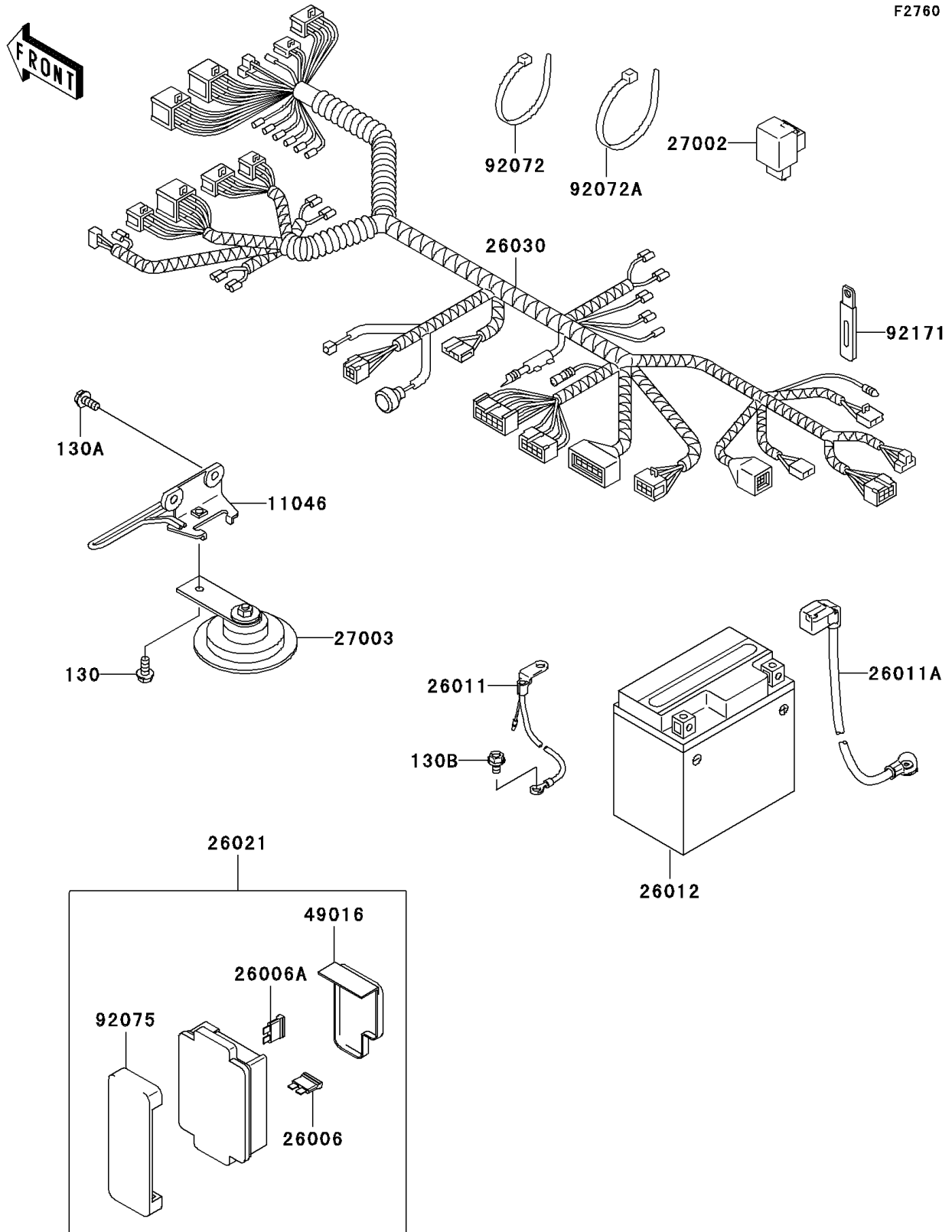


# 2007 Ninja® 250R PARTS DIAGRAM

Chassis Electrical Equipment

F2760



## 2007 Ninja® 250R PARTS LIST

### Chassis Electrical Equipment

ITEM NAME	PART NUMBER	QUANTITY
BOLT-FLANGED,6X12 (Ref # 130)	130C0612	1
BOLT-FLANGED,6X14 (Ref # 130A)	130G0614	2
BOLT-FLANGED,6X10 (Ref # 130B)	130V0610	1
BRACKET,HORN&CABLE (Ref # 11046)	11046-1233	1
FUSE,30A-G (Ref # 26006)	26006-1067	1
FUSE,10A-R (Ref # 26006A)	26006-1068	8
WIRE-LEAD,BATTERY(-) (Ref # 26011)	26011-0035	1
WIRE-LEAD,BATTERY(+) (Ref # 26011A)	26011-0042	1
BATTERY,FTX7L-BS,12V6AH (Ref # 26012)	26012-0070	1
JUNCTION BOX (Ref # 26021)	26021-1089	1
HARNESS,MAIN (Ref # 26030)	26030-1351	1
RELAY-ASSY,SIGNAL LAMP (Ref # 27002)	27002-1097	1
HORN (Ref # 27003)	27003-0025	1
COVER-SEAL,FUSE (Ref # 49016)	49016-1177	1
BAND,L=202 (Ref # 92072)	92072-1195	7
BAND,L=250 (Ref # 92072A)	92072-1237	1
DAMPER,JUNCTION BOX (Ref # 92075)	92075-1688	1
CLAMP,WIRING HARNESS,L=60 (Ref # 92171)	92171-1425	5