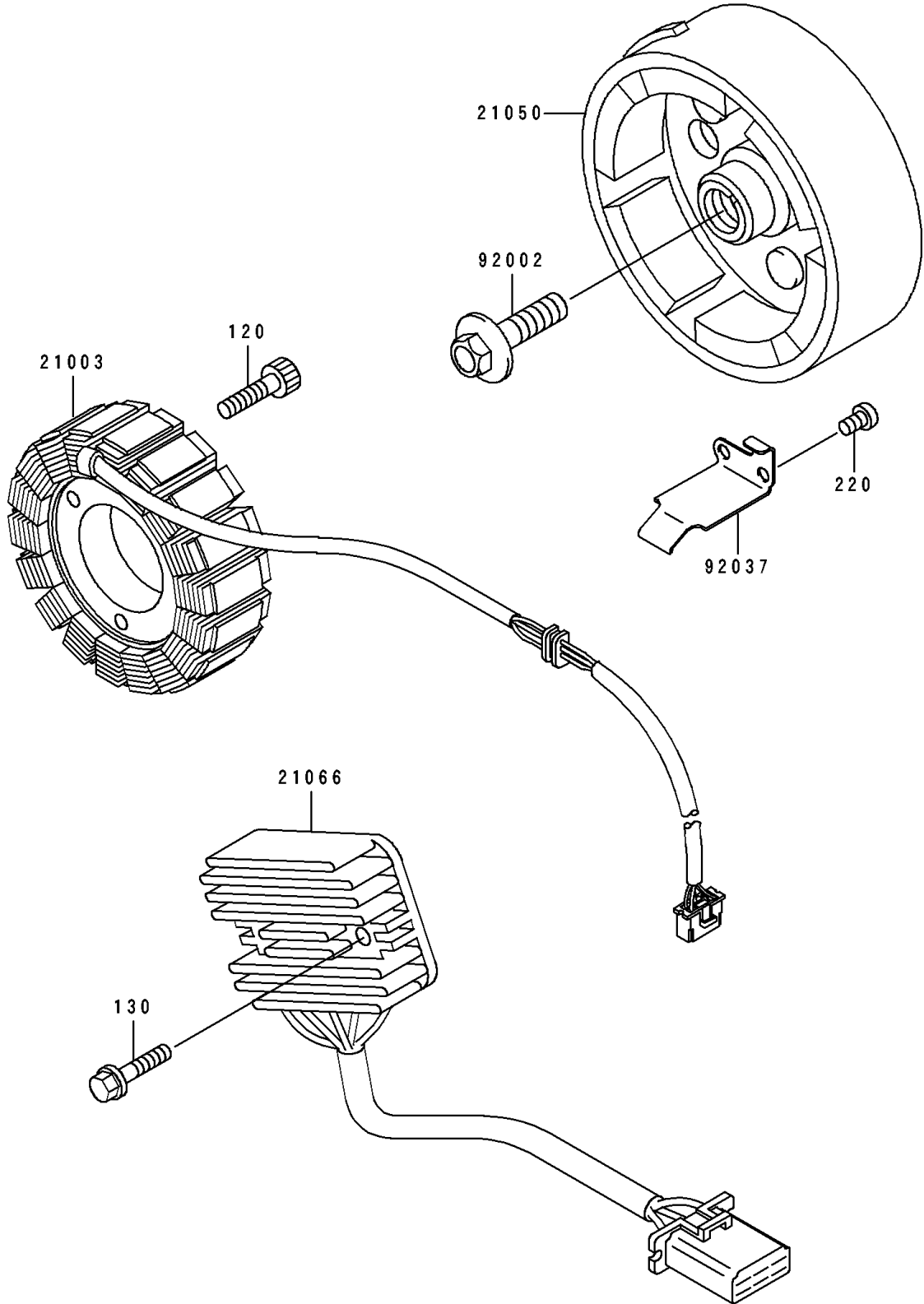


# 1993 EX500 PARTS DIAGRAM

Generator

E1810



# 1993 EX500 PARTS LIST

## Generator

ITEM NAME	PART NUMBER	QUANTITY
STATOR (Ref # 21003)	21003-1123	1
FLYWHEEL (Ref # 21050)	21050-1110	1
REGULATOR-VOLTAGE (Ref # 21066)	21066-1030	1
BOLT,FLANGED,10X36 (Ref # 92002)	92002-1457	1
CLAMP,GENERATOR LEAD (Ref # 92037)	92037-1630	1
BOLT-SOCKET,6X25 (Ref # 120)	120P0625	3
BOLT-FLANGED,6X25 (Ref # 130)	130B0625	2
SCREW-PAN-CROS (Ref # 220)	220B0510	2