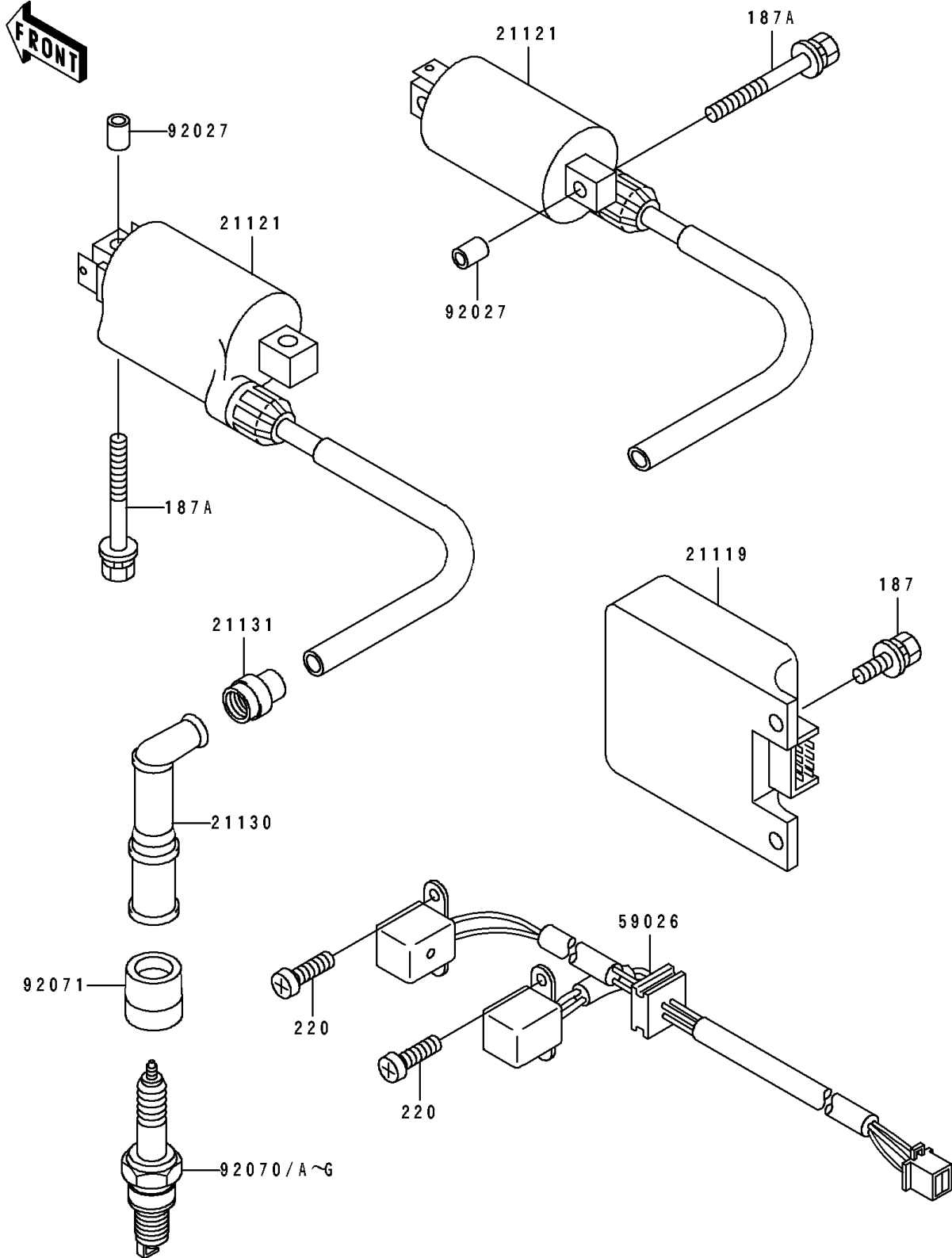


# 1991 EX500 PARTS DIAGRAM

Ignition System

E 1830



# 1991 EX500 PARTS LIST

## Ignition System

| ITEM NAME                              | PART NUMBER | QUANTITY |
|--|-------------|----------|
| IGNITER (Ref # 21119)                  | 21119-1219  | 1        |
| COIL-IGNITION (Ref # 21121)            | 21121-1153  | 2        |
| CAP-SPARK PLUG (Ref # 21130)           | 21130-1068  | 2        |
| GROMMET,HIGH TENSION (Ref # 21131)     | 21131-005   | 2        |
| COIL-PULSING (Ref # 59026)             | 59026-1066  | 1        |
| COLLAR,6.8X10X6 (Ref # 92027)          | 92027-103   | 4        |
| PLUG-SPARK,X24ESR-U(ND) (Ref # 92070)  |             | 2        |
| PLUG-SPARK,D8EA(NGK) (Ref # 92070A)    | 92070-1011  | 2        |
| PLUG-SPARK,DR8ES(NGK) (Ref # 92070B)   | 92070-1019  | 2        |
| PLUG-SPARK,X24ES-U(ND) (Ref # 92070C)  |             | 2        |
| PLUG-SPARK,D9EA(NGK) (Ref # 92070D)    | 92070-1034  | 2        |
| PLUG-SPARK,X27ES-U(ND) (Ref # 92070E)  |             | 2        |
| PLUG-SPARK,X27ESR-U(ND) (Ref # 92070F) |             | 2        |
| PLUG-SPARK,DR8ES-L(NGK) (Ref # 92070G) | 92070-1116  | 2        |
| GROMMET,PLUG CAP (Ref # 92071)         | 92071-1146  | 2        |
| BOLT-UPSET-WSP (Ref # 187)             | 187B0618    | 2        |
| BOLT-UPSET-WSP (Ref # 187A)            | 187G0625    | 4        |
| SCREW-PAN-CROS (Ref # 220)             | 220B0510    | 4        |