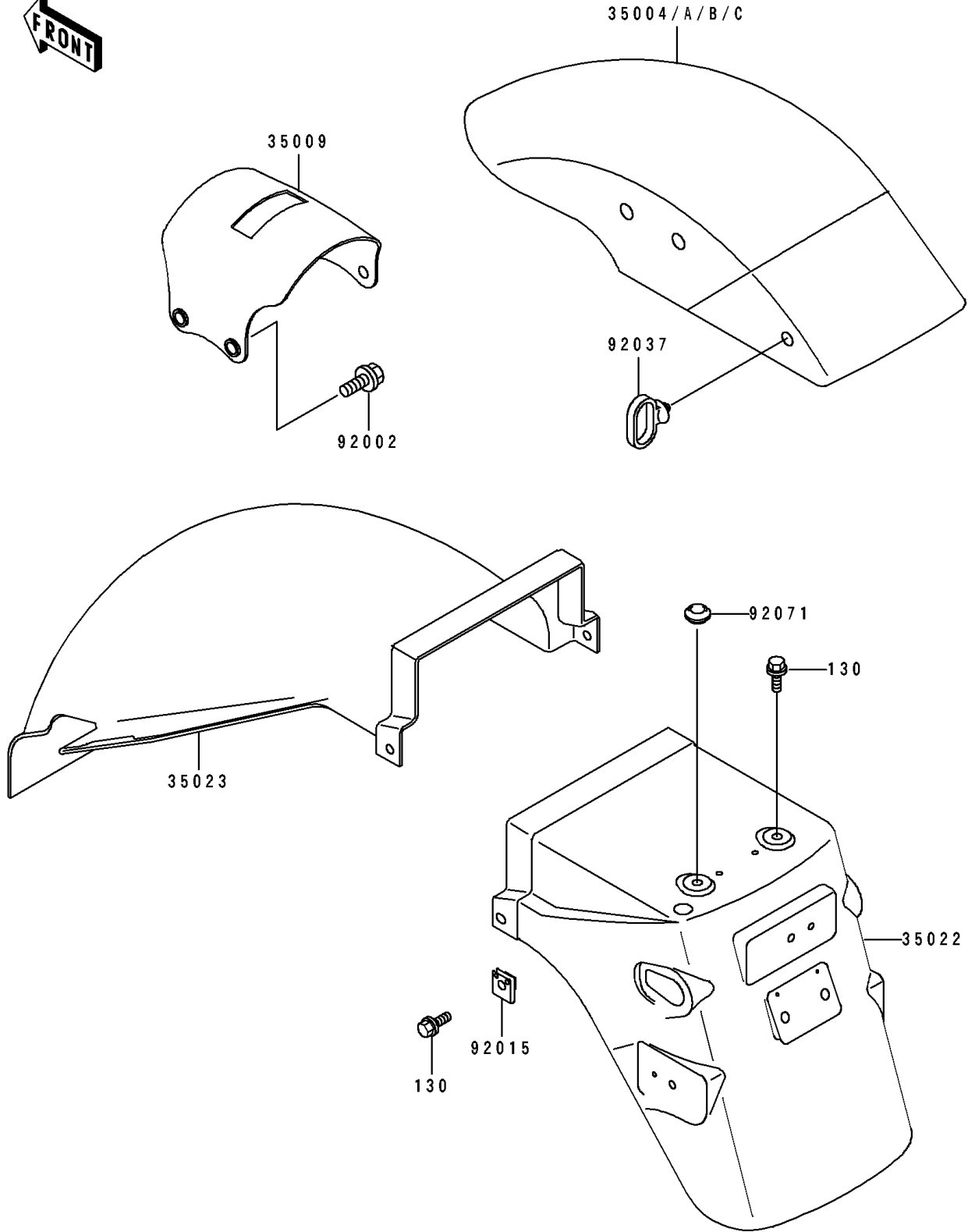


# 1993 EX500 PARTS DIAGRAM

Fenders

F2170



# 1993 EX500 PARTS LIST

## Fenders

ITEM NAME	PART NUMBER	QUANTITY
FENDER-FRONT,BLACK/BLUE (Ref # 35004A)	35004-1188-M3	1
FENDER-FRONT,GREEN/BLACK (Ref # 35004C)	35004-1188-RY	1
BRACE,FRONT FENDER (Ref # 35009)	35009-1070	1
FENDER-COMP-REAR,RR,BLACK (Ref # 35022)	35022-1229-6Z	1
FENDER-REAR,FR (Ref # 35023)	35023-1183	1
BOLT,FLANGED,8X16 (Ref # 92002)	92002-1200	4
NUT,CLAMP,6MM (Ref # 92015)	92015-1678	2
CLAMP,CABLE (Ref # 92037)	92037-1459	1
GROMMET,10MM (Ref # 92071)	92071-019	1
BOLT-FLANGED,6X16 (Ref # 130)	130B0616	4