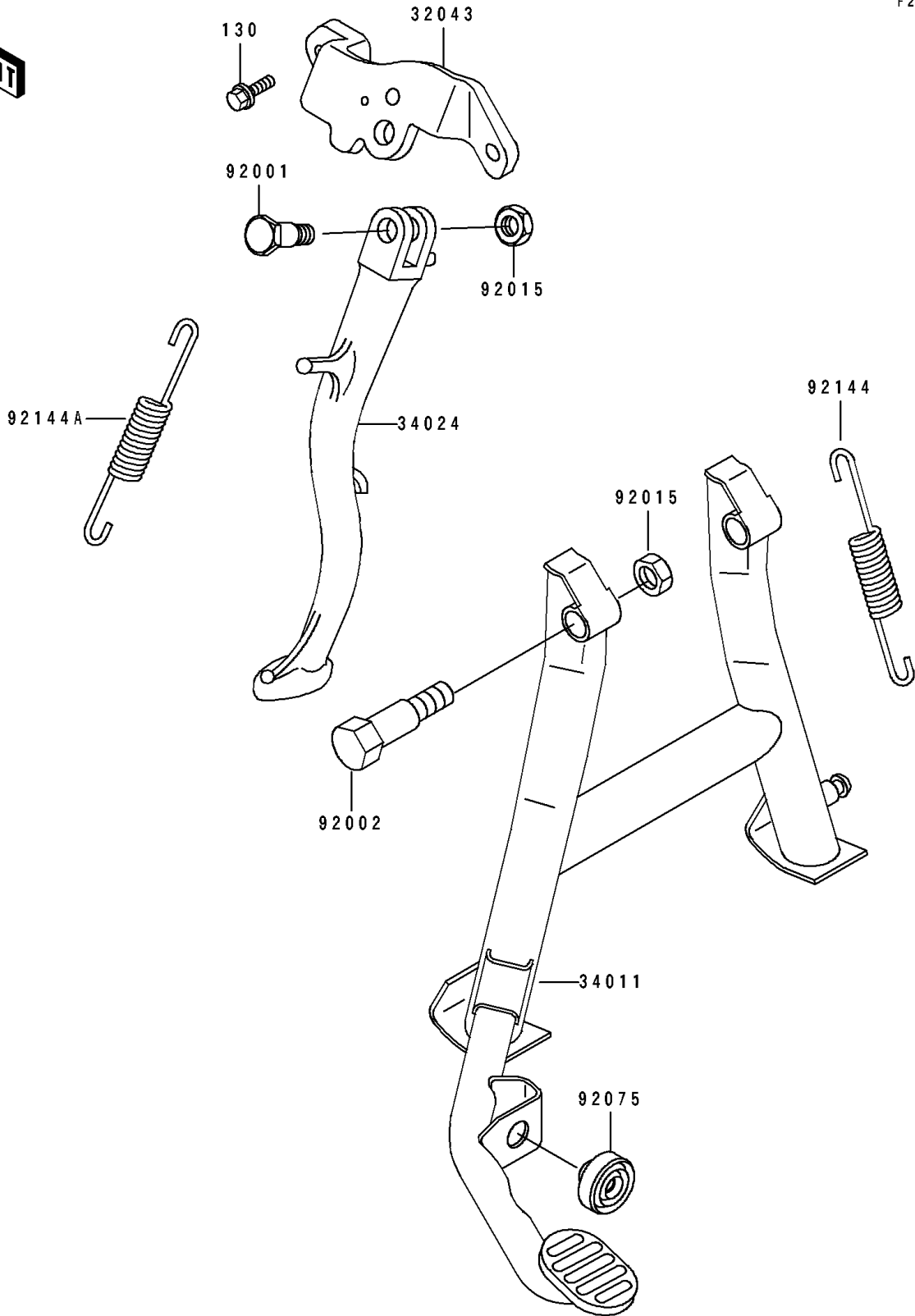


# 1992 EX500 PARTS DIAGRAM

Stands

F2190



## 1992 EX500 PARTS LIST

### Stands

ITEM NAME	PART NUMBER	QUANTITY
BRACKET-STAND,SIDE (Ref # 32043)	32043-1329	1
STAND-CENTER (Ref # 34011)	34011-1138	1
STAND-SIDE (Ref # 34024)	34024-1255	1
BOLT,SIDE STAND (Ref # 92001)	92001-1788	1
BOLT,CENTER STAND (Ref # 92002)	92002-1954	2
NUT,LOCK,10MM,BLACK (Ref # 92015)	92015-1188	3
DAMPER (Ref # 92075)	92075-1045	1
SPRING,CENTER STAND (Ref # 92144)	92144-1366	1
SPRING,SIDE STAND (Ref # 92144A)	92144-1367	1
BOLT-FLANGED,8X16,BLACK (Ref # 130)	130J0816	2