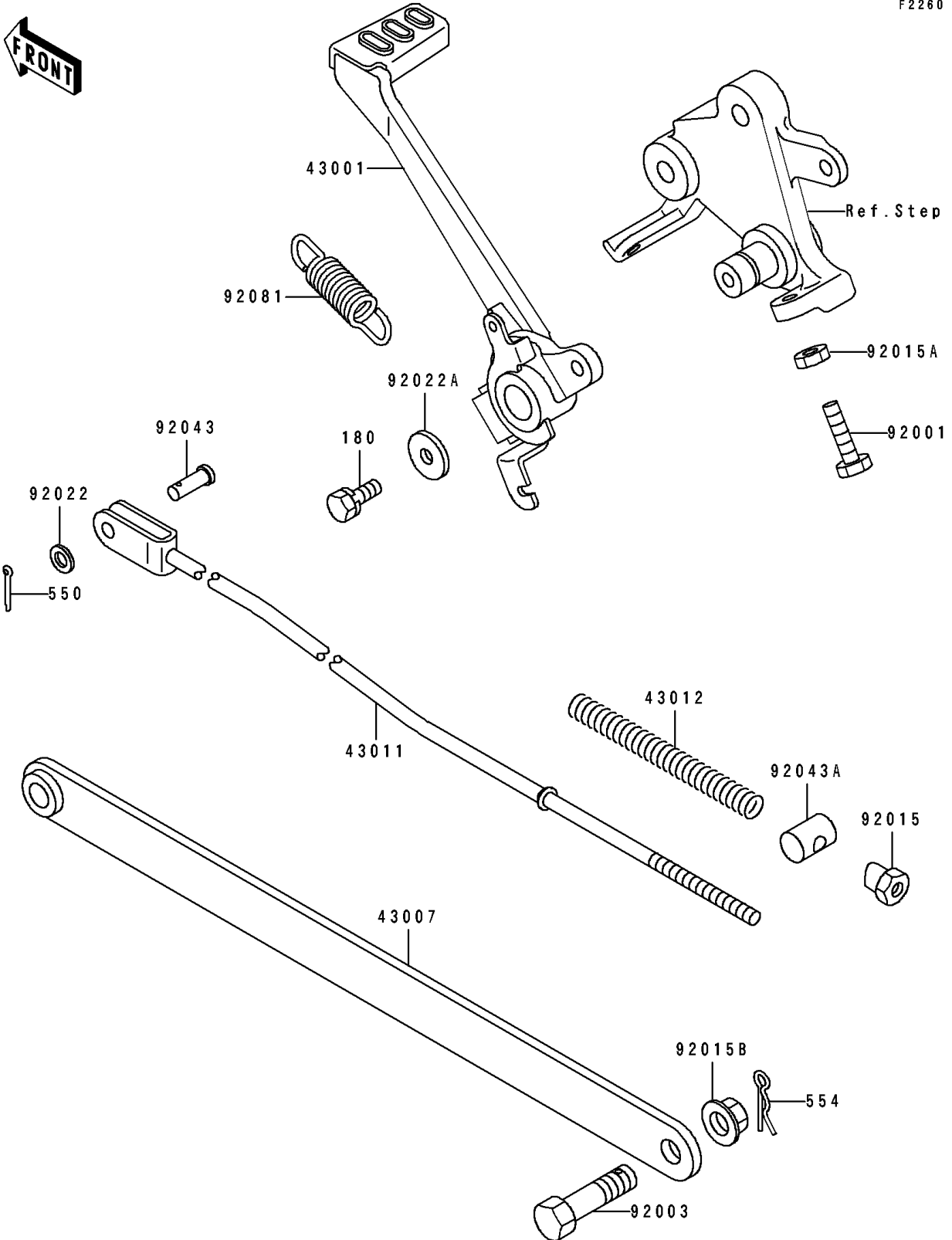


1991 EX500 PARTS DIAGRAM

Brake Pedal/Torque Link

F2260



1991 EX500 PARTS LIST

Brake Pedal/Torque Link

| ITEM NAME | PART NUMBER | QUANTITY |
|-----------------------------------|-------------|----------|
| LEVER-BRAKE,PEDAL (Ref # 43001) | 43001-1219 | 1 |
| ROD-TORQUE (Ref # 43007) | 43007-1131 | 1 |
| ROD-BRAKE (Ref # 43011) | 43011-1136 | 1 |
| SPRING,BRAKE ROD (Ref # 43012) | 43012-001 | 1 |
| BOLT,6X25 (Ref # 92001) | 92001-1090 | 1 |
| BOLT,10X35 (Ref # 92003) | 92003-034 | 1 |
| NUT,BRAKE ROD (Ref # 92015) | 92015-042 | 1 |
| NUT,6MM (Ref # 92015A) | 92015-1391 | 1 |
| NUT,FLANGED,10MM (Ref # 92015B) | 92015-1428 | 1 |
| WASHER,6.5X11.5X0.8 (Ref # 92022) | 92022-1556 | 1 |
| WASHER,6.5X20X1.6 (Ref # 92022A) | 92022-1557 | 1 |
| PIN,6X17 (Ref # 92043) | 92043-064 | 1 |
| PIN,BRAKE ROD (Ref # 92043A) | 92043-065 | 1 |
| SPRING,BRAKE PEDAL (Ref # 92081) | 92081-1147 | 1 |
| BOLT-UPSET-WS (Ref # 180) | 180D0616 | 1 |
| PIN-COTTER,2.0X15 (Ref # 550) | 550D2015 | 1 |
| PIN-SNAP,8MM (Ref # 554) | 554A0800 | 1 |