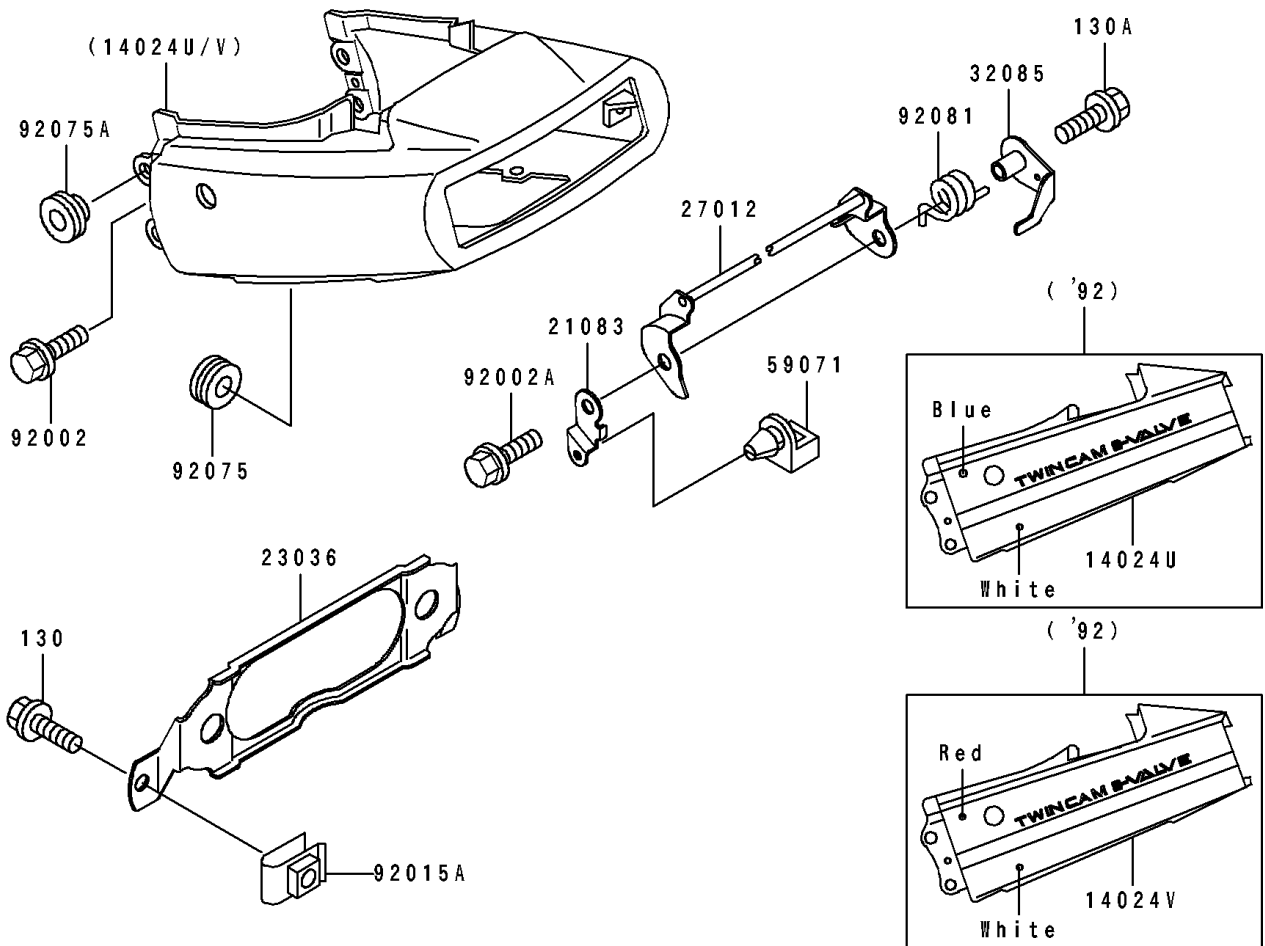
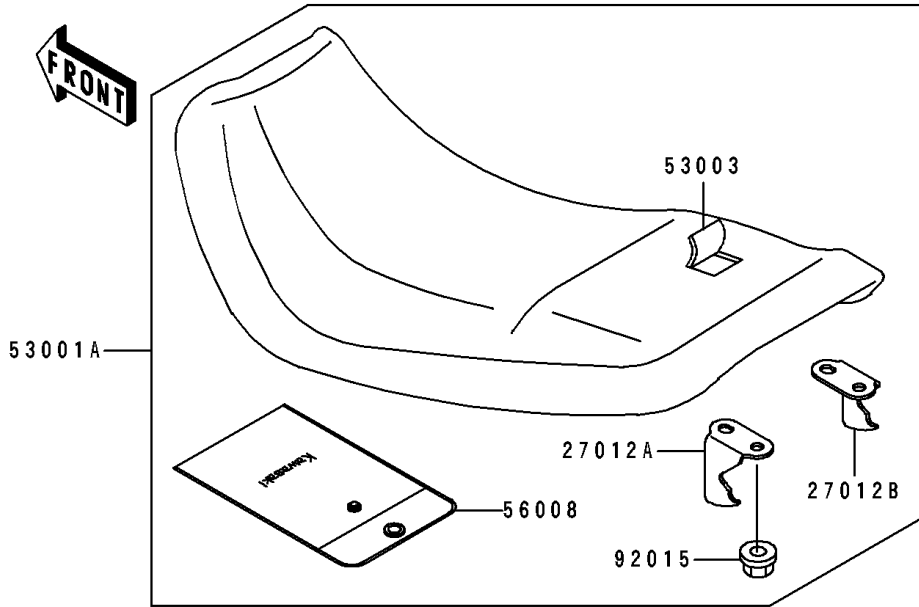


1992 EX500 PARTS DIAGRAM

Seat(EX500-A6)

F2510A



1992 EX500 PARTS LIST

Seat(EX500-A6)

| ITEM NAME | PART NUMBER | QUANTITY |
|--|---------------|----------|
| COVER,SEAT,BLUE/WHITE (Ref # 14024U) | 14024-5205-S3 | 1 |
| COVER,SEAT,RED/WHITE (Ref # 14024V) | 14024-5206-GP | 1 |
| ARM,SEAT LOCK (Ref # 21083) | 21083-1063 | 1 |
| BRACKET-TAIL LAMP (Ref # 23036) | 23036-1111 | 1 |
| HOOK,SEAT LOCK (Ref # 27012) | 27012-1363 | 1 |
| HOOK,SEAT,LH (Ref # 27012A) | 27012-1377 | 1 |
| HOOK,SEAT,RH (Ref # 27012B) | 27012-1378 | 1 |
| STOPPER,SEAT LOCK SPRING (Ref # 32085) | 32085-1270 | 1 |
| SEAT-ASSY,DUAL,BLACK (Ref # 53001A) | 53001-1519-MA | 1 |
| LEATHER,SEAT,BLACK (Ref # 53003) | 53003-1179-MA | 1 |
| BAG,HAND BOOK (Ref # 56008) | 56008-1066 | 1 |
| JOINT (Ref # 59071) | 59071-1103 | 1 |
| BOLT,6X14 (Ref # 92002) | 92002-1351 | 2 |
| BOLT,6X12 (Ref # 92002A) | 92002-1884 | 1 |
| NUT,FLANGED,6MM (Ref # 92015) | 92015-1078 | 4 |
| NUT,6MM (Ref # 92015A) | 92015-1671 | 2 |
| DAMPER (Ref # 92075) | 92075-1690 | 2 |
| DAMPER,SIDE COVER (Ref # 92075A) | 92075-1962 | 4 |
| SPRING (Ref # 92081) | 92081-1982 | 1 |
| BOLT-FLANGED,6X14 (Ref # 130) | 130D0614 | 2 |
| BOLT-FLANGED,6X25 (Ref # 130A) | 130J0625 | 1 |