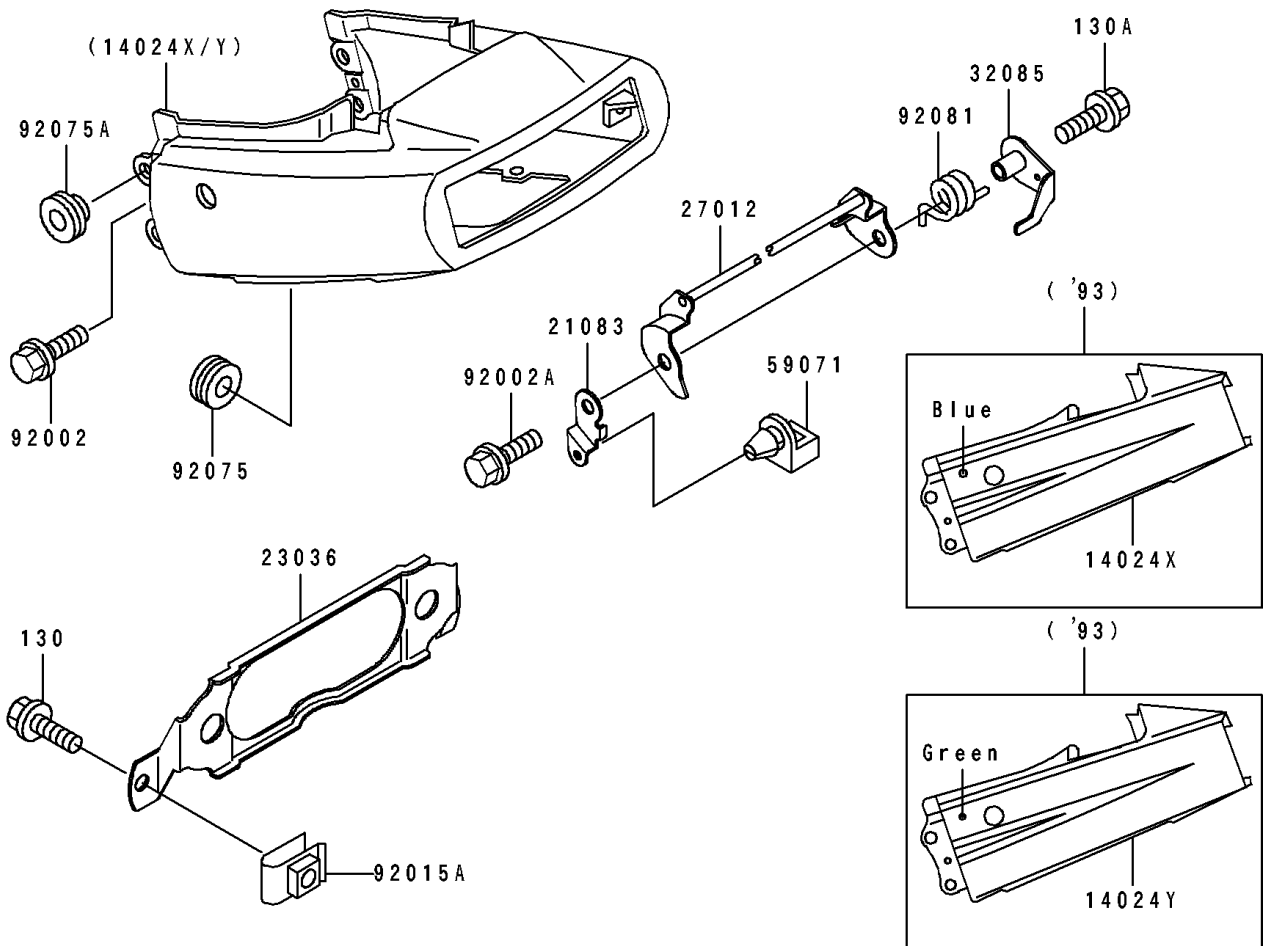
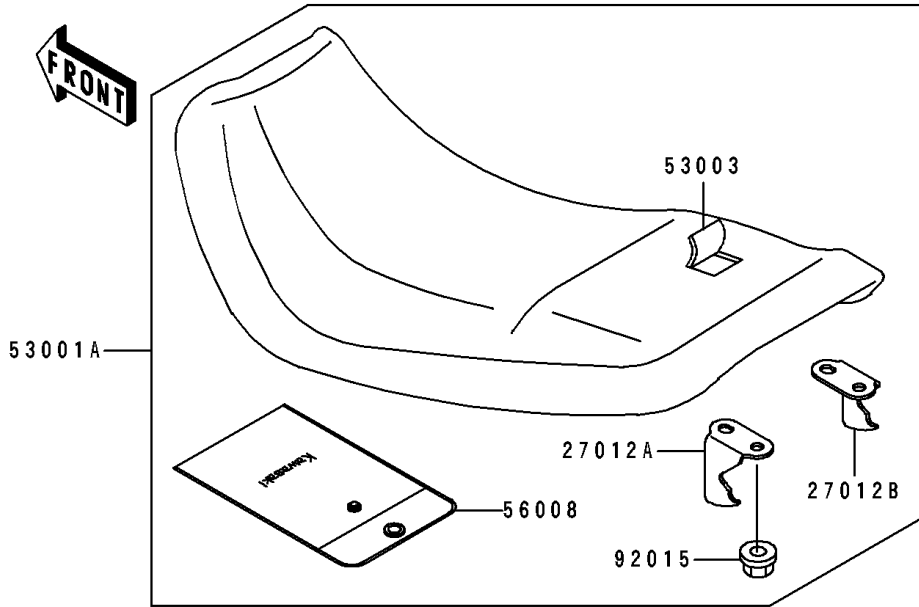


# 1993 EX500 PARTS DIAGRAM

Seat(EX500-A7)

F 2510B



# 1993 EX500 PARTS LIST

Seat(EX500-A7)

ITEM NAME	PART NUMBER	QUANTITY
COVER,SEAT,L.P.BLUE (Ref # 14024X)	14024-5214-M4	1
COVER,SEAT,P.T.GREEN (Ref # 14024Y)	14024-5215-SM	1
ARM,SEAT LOCK (Ref # 21083)	21083-1063	1
BRACKET-TAIL LAMP (Ref # 23036)	23036-1111	1
HOOK,SEAT LOCK (Ref # 27012)	27012-1363	1
HOOK,SEAT,LH (Ref # 27012A)	27012-1377	1
HOOK,SEAT,RH (Ref # 27012B)	27012-1378	1
STOPPER,SEAT LOCK SPRING (Ref # 32085)	32085-1270	1
SEAT-ASSY,DUAL,BLACK (Ref # 53001A)	53001-1519-MA	1
LEATHER,SEAT,BLACK (Ref # 53003)	53003-1179-MA	1
BAG,HAND BOOK (Ref # 56008)	56008-1066	1
JOINT (Ref # 59071)	59071-1103	1
BOLT,6X14 (Ref # 92002)	92002-1351	2
BOLT,6X12 (Ref # 92002A)	92002-1884	1
NUT,FLANGED,6MM (Ref # 92015)	92015-1078	4
NUT,6MM (Ref # 92015A)	92015-1671	2
DAMPER (Ref # 92075)	92075-1690	2
DAMPER,SIDE COVER (Ref # 92075A)	92075-1962	4
SPRING (Ref # 92081)	92081-1982	1
BOLT-FLANGED,6X14 (Ref # 130)	130D0614	2
BOLT-FLANGED,6X25 (Ref # 130A)	130J0625	1