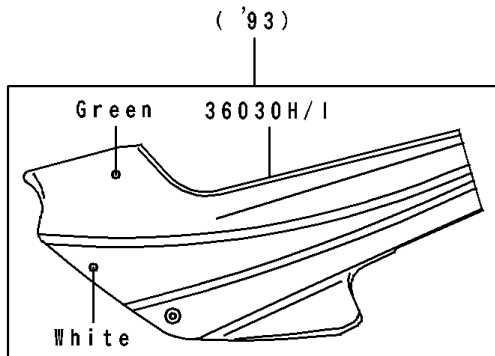
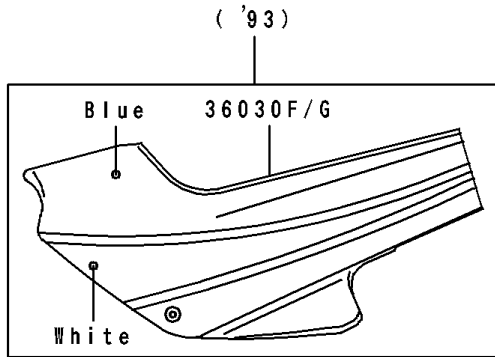
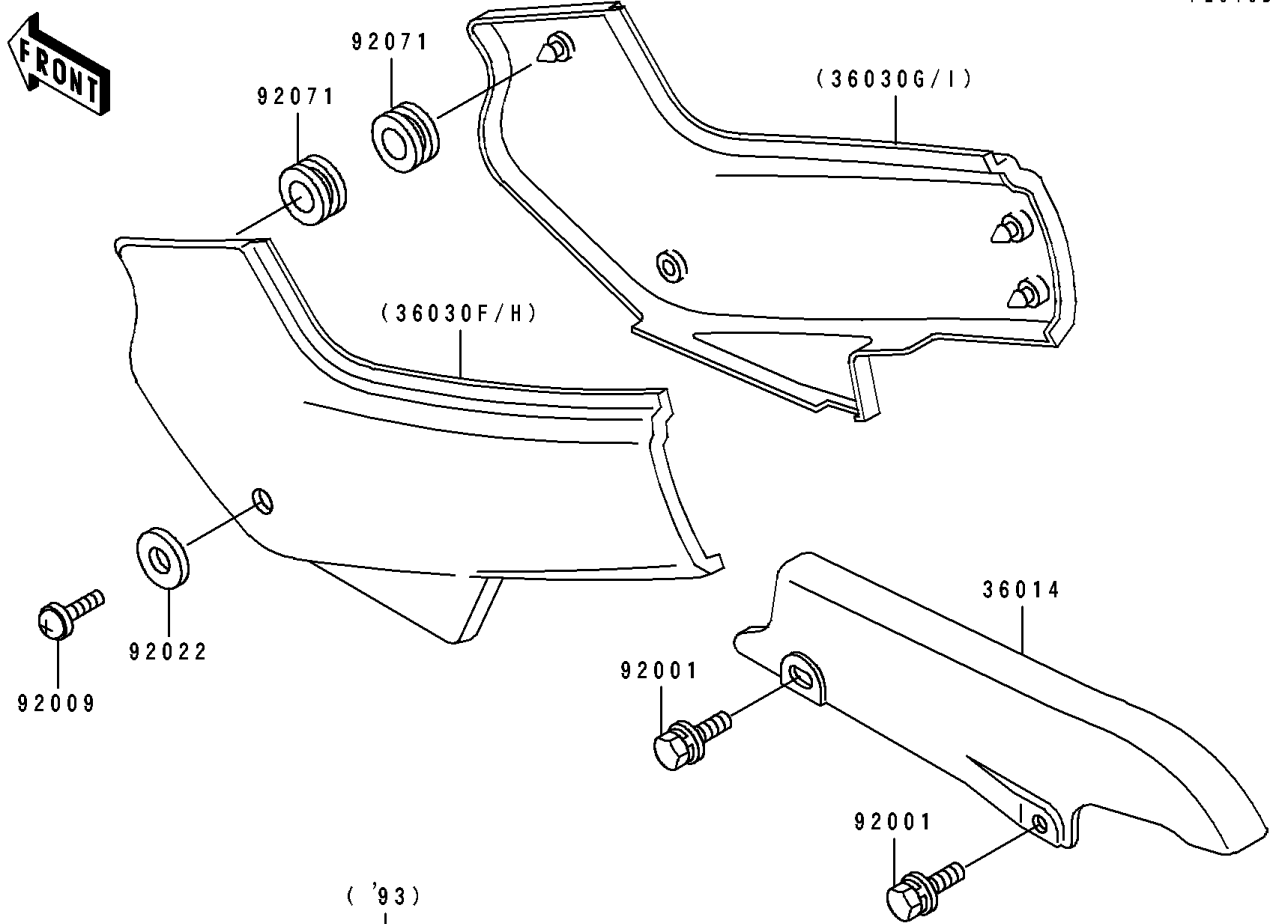


1993 EX500 PARTS DIAGRAM

Side Covers(EX500-A7)

F 2610B



1993 EX500 PARTS LIST

Side Covers(EX500-A7)

ITEM NAME	PART NUMBER	QUANTITY
CASE-CHAIN (Ref # 36014)	36014-1144	1
COVER-SIDE,LH,L.P.BLUE (Ref # 36030F)	36030-5135-M4	1
COVER-SIDE,RH,L.P.BLUE (Ref # 36030G)	36030-5136-M4	1
COVER-SIDE,LH,P.T.GREEN (Ref # 36030H)	36030-5137-SM	1
COVER-SIDE,RH,P.T.GREEN (Ref # 36030I)	36030-5138-SM	1
BOLT,6X14,BLACK (Ref # 92001)	92001-1847	2
SCREW,6X14 (Ref # 92009)	92009-1288	2
WASHER,6.5X16X1.0 (Ref # 92022)	92022-1654	2
GROMMET (Ref # 92071)	92071-056	2