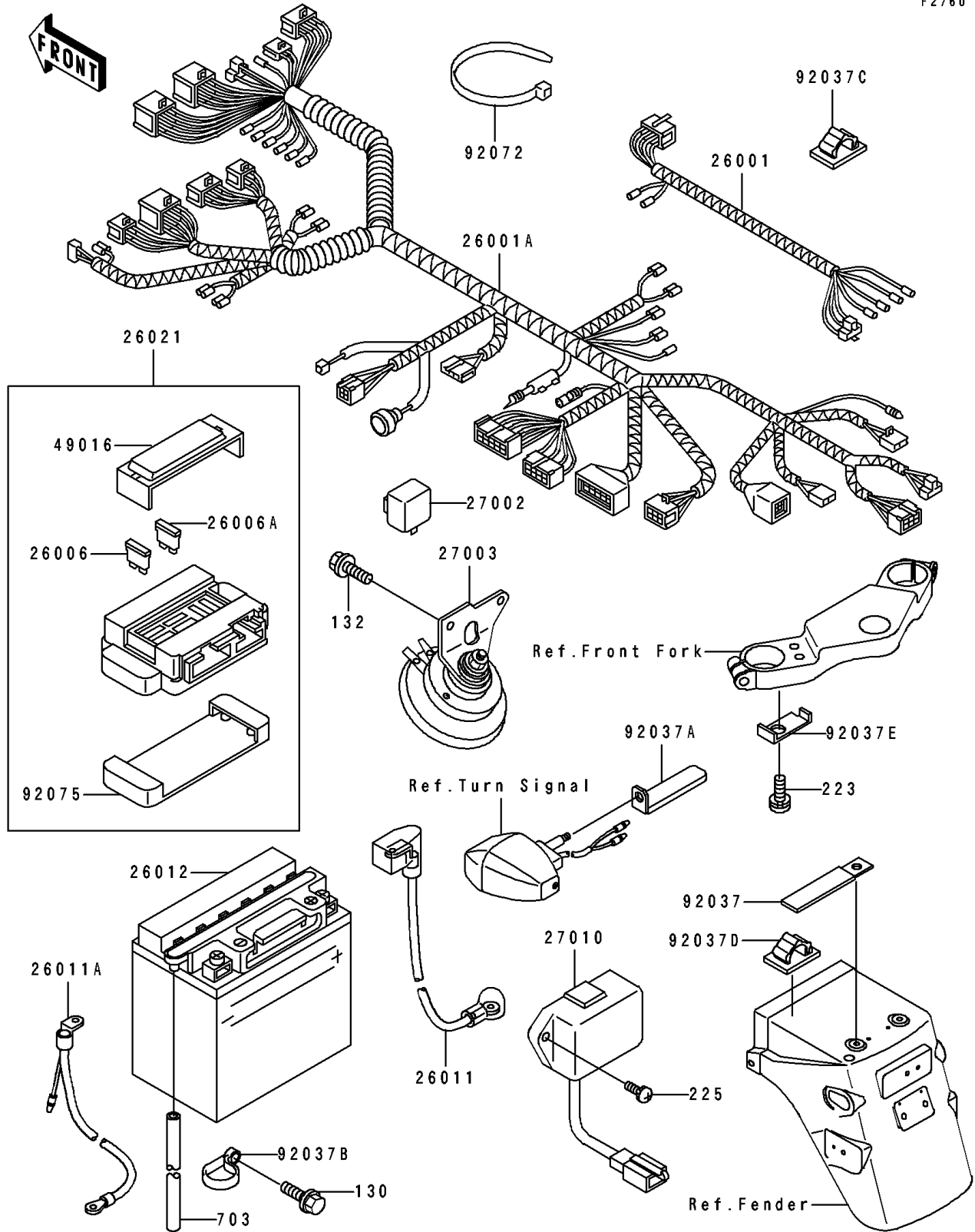


1992 EX500 PARTS DIAGRAM

Chassis Electrical Equipment

F2760



1992 EX500 PARTS LIST

Chassis Electrical Equipment

| ITEM NAME | PART NUMBER | QUANTITY |
|---|-------------|----------|
| HARNESS,FRONT SIGNAL LAMP (Ref # 26001) | 26001-1859 | 1 |
| HARNESS,MAIN (Ref # 26001A) | 26001-1957 | 1 |
| FUSE,30A-G (Ref # 26006) | 26006-1067 | 1 |
| FUSE,10A-R (Ref # 26006A) | 26006-1068 | 5 |
| WIRE-LEAD,BATTERY(+) (Ref # 26011) | 26011-1388 | 1 |
| WIRE-LEAD,BATTERY(-) (Ref # 26011A) | 26011-1389 | 1 |
| BATTERY,12V 14AH,FB14L-A2 (Ref # 26012) | 26012-1219 | 1 |
| JUNCTION BOX (Ref # 26021) | 26021-1077 | 1 |
| RELAY-ASSY,TURN SIGNAL (Ref # 27002) | 27002-1060 | 1 |
| HORN (Ref # 27003) | 27003-1274 | 1 |
| SWITCH,RESERV LIGHTING (Ref # 27010) | 27010-1066 | 1 |
| COVER-SEAL,FUSE (Ref # 49016) | 49016-1125 | 1 |
| CLAMP,WIRING HARNESS (Ref # 92037) | 92037-1069 | 1 |
| CLAMP,HARNESS (Ref # 92037A) | 92037-1316 | 2 |
| CLAMP,HOSE (Ref # 92037B) | 92037-1727 | 1 |
| CLAMP,TUBE (Ref # 92037C) | 92037-1794 | 2 |
| CLAMP,HARNESS (Ref # 92037D) | 92037-1816 | 1 |
| CLAMP,HARNESS (Ref # 92037E) | 92037-1916 | 1 |
| BAND,L=185 (Ref # 92072) | 92072-1195 | 9 |
| DAMPER,JUNCTION BOX (Ref # 92075) | 92075-1688 | 1 |
| BOLT-FLANGED,6X10 (Ref # 130) | 130B0610 | 2 |
| BOLT-FLANGED-SMALL,6X10 (Ref # 132) | 132J0610 | 2 |
| SCREW-PAN-WS-CROS (Ref # 223) | 223B0610 | 1 |
| SCREW-PAN-WSP-CROS (Ref # 225) | 225B0620 | 2 |
| TUBE-RUBBER,8X12X530 (Ref # 703) | 703A08530 | 1 |