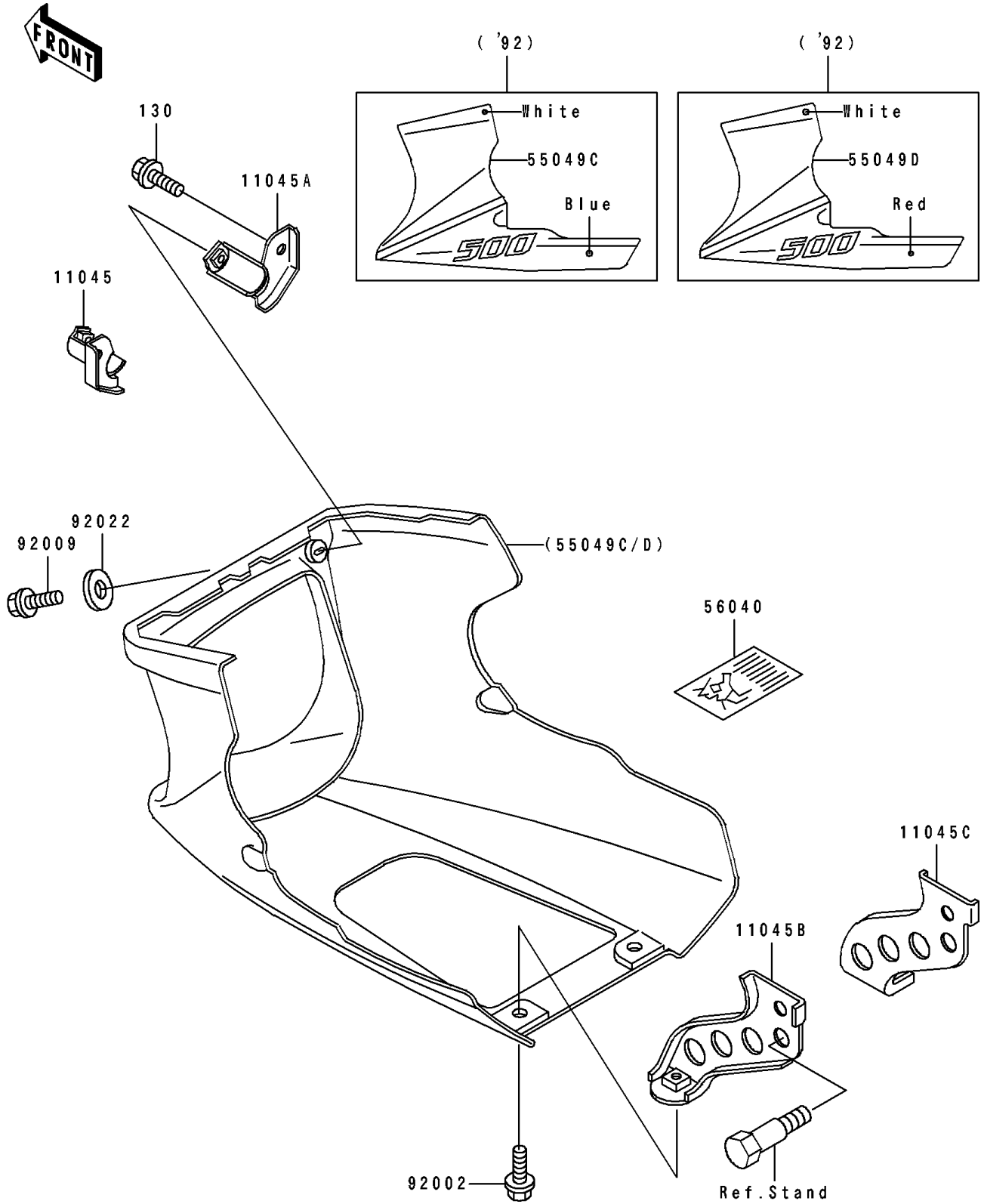


# 1992 EX500 PARTS DIAGRAM

Cowling Lowers(EX500-A6)

F2872A



# 1992 EX500 PARTS LIST

## Cowling Lowers(EX500-A6)

ITEM NAME	PART NUMBER	QUANTITY
BRACKET,LOWER COWLING,FR,LH (Ref # 11045)	11045-1571	1
BRACKET,LOWER COWLING,FR,RH (Ref # 11045A)	11045-1572	1
BRACKET,LOWER COWLING,RR,LH (Ref # 11045B)	11045-1573	1
BRACKET,LOWER COWLING,RR,RH (Ref # 11045C)	11045-1574	1
COWLING.,LWR,BLUE/WHITE (Ref # 55049C)	55049-5090-S3	1
COWLING.,LWR,RED/WHITE (Ref # 55049D)	55049-5091-GP	1
LABEL-WARNING,LOWER COWLING (Ref # 56040)	56040-1251	1
BOLT,6X16 (Ref # 92002)	92002-1188	2
SCREW,6X14, WHITE (Ref # 92009)	92009-1287	2
WASHER,6.5X16X1.0 (Ref # 92022)	92022-1654	2
BOLT-FLANGED,6X10 (Ref # 130)	130B0610	2