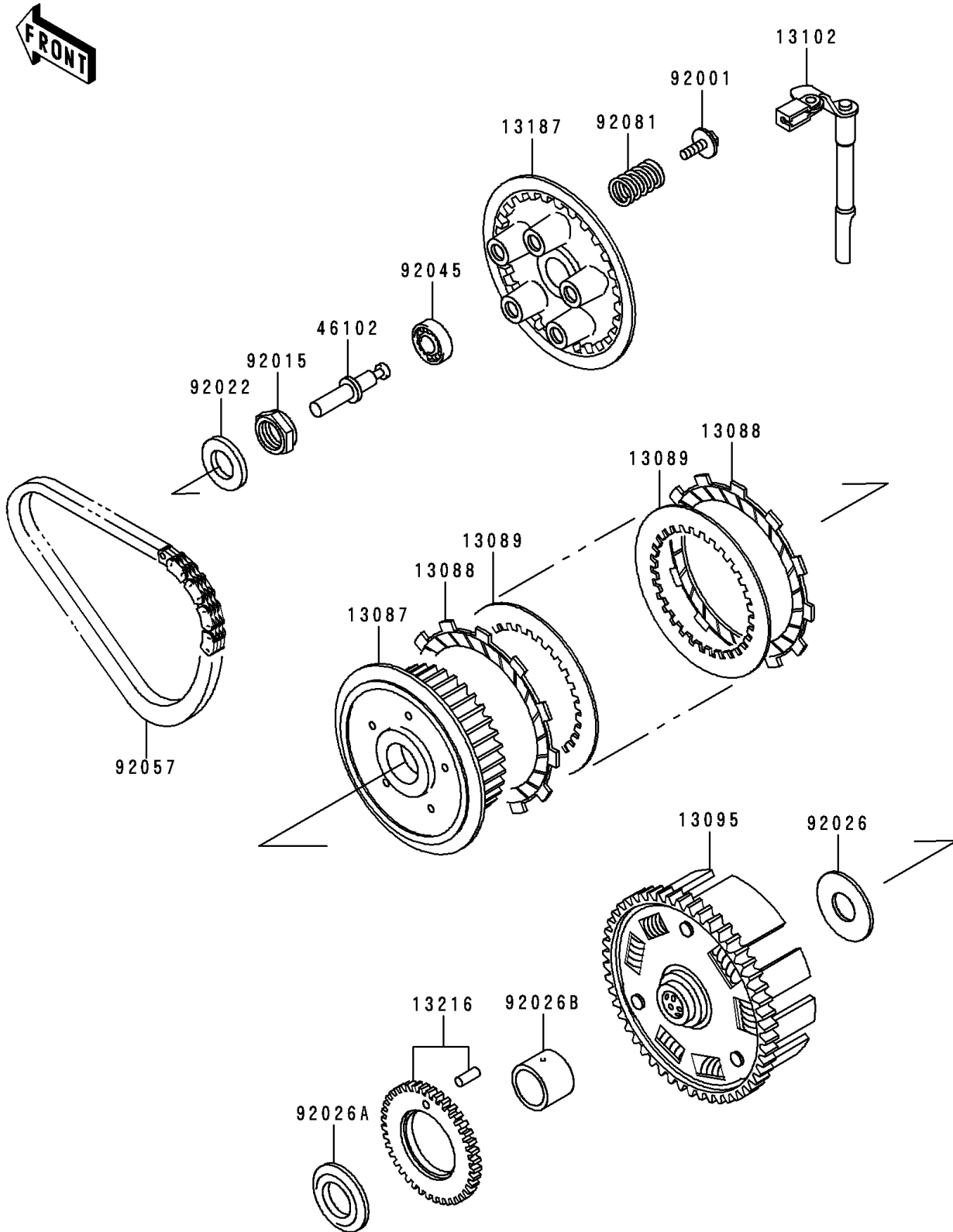


1995 Ninja® 500 PARTS DIAGRAM

Clutch

E1350



1995 Ninja® 500 PARTS LIST

Clutch

| ITEM NAME | PART NUMBER | QUANTITY |
|---------------------------------------|-------------|----------|
| HUB-CLUTCH (Ref # 13087) | 13087-1162 | 1 |
| PLATE-FRICTION (Ref # 13088) | 13088-1013 | 7 |
| PLATE-CLUTCH,T=2.0 (Ref # 13089) | 13089-026 | 6 |
| HOUSING-COMP-CLUTCH (Ref # 13095) | 13095-1158 | 1 |
| RELEASE-COMP-CLUTCH (Ref # 13102) | 13102-1087 | 1 |
| PLATE-CLUTCH OPERATING (Ref # 13187) | 13187-1012 | 1 |
| GEAR-COMP,40T (Ref # 13216) | 13216-1066 | 1 |
| ROD,CLUTCH (Ref # 46102) | 46102-1134 | 1 |
| BOLT,FLANGED,6X18 (Ref # 92001) | 92001-1066 | 5 |
| NUT,20MM (Ref # 92015) | 92015-1555 | 1 |
| WASHER,20.3X36X2.3 (Ref # 92022) | 92022-1116 | 1 |
| SPACER,25.5X47X2.5 (Ref # 92026) | 92026-022 | 1 |
| SPACER (Ref # 92026A) | 92026-1242 | 1 |
| SPACER,25X30X23.5 (Ref # 92026B) | 92026-1243 | 1 |
| BEARING-BALL,6001C3ML01 (Ref # 92045) | 92045-1235 | 1 |
| CHAIN,PRIMARY (Ref # 92057) | 92057-1229 | 1 |
| SPRING,CLUTCH (Ref # 92081) | 92081-1864 | 5 |