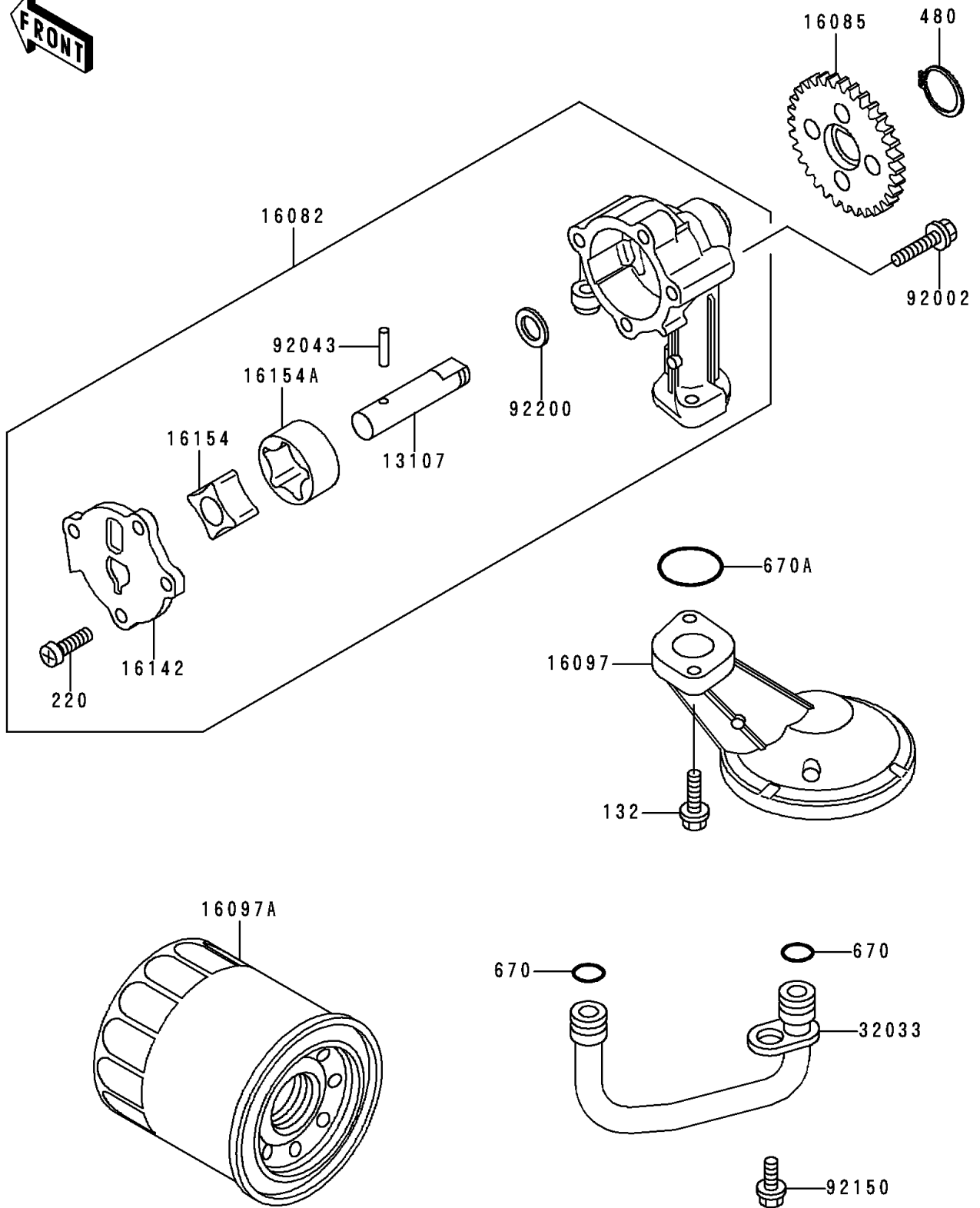


1996 Ninja® 500 PARTS DIAGRAM

Oil Pump/Oil Filter

E1710



1996 Ninja® 500 PARTS LIST

Oil Pump/Oil Filter

| ITEM NAME | PART NUMBER | QUANTITY |
|---------------------------------|-------------|----------|
| BOLT-FLANGED-SMALL (Ref # 132) | 132G0620 | 2 |
| SCREW-PAN-CROS,6X16 (Ref # 220) | 220B0616 | 4 |
| CIRCLIP-TYPE-C,11MM (Ref # 480) | 480J1100 | 1 |
| O RING,10MM (Ref # 670) | 670B2010 | 2 |
| O RING,22MM (Ref # 670A) | 670D2022 | 1 |
| SHAFT,OIL PUMP (Ref # 13107) | 13107-1366 | 1 |
| PUMP-ASSY-OIL (Ref # 16082) | 16082-1147 | 1 |
| GEAR,OIL PUMP (Ref # 16085) | 16085-1143 | 1 |
| FILTER-ASSY-OIL (Ref # 16097) | 16097-1056 | 1 |
| FILTER-ASSY-OIL (Ref # 16097A) | 16097-1066 | 1 |
| COVER-PUMP,OIL (Ref # 16142) | 16142-1141 | 1 |
| ROTOR-PUMP,INNER (Ref # 16154) | 16154-1111 | 1 |
| ROTOR-PUMP,OUTER (Ref # 16154A) | 16154-1112 | 1 |
| PIPE (Ref # 32033) | 32033-1540 | 1 |
| BOLT,6X25 (Ref # 92002) | 92002-1609 | 3 |
| PIN (Ref # 92043) | 92043-1543 | 1 |
| BOLT,6X12 (Ref # 92150) | 92150-1826 | 1 |
| WASHER (Ref # 92200) | 92200-1334 | 1 |