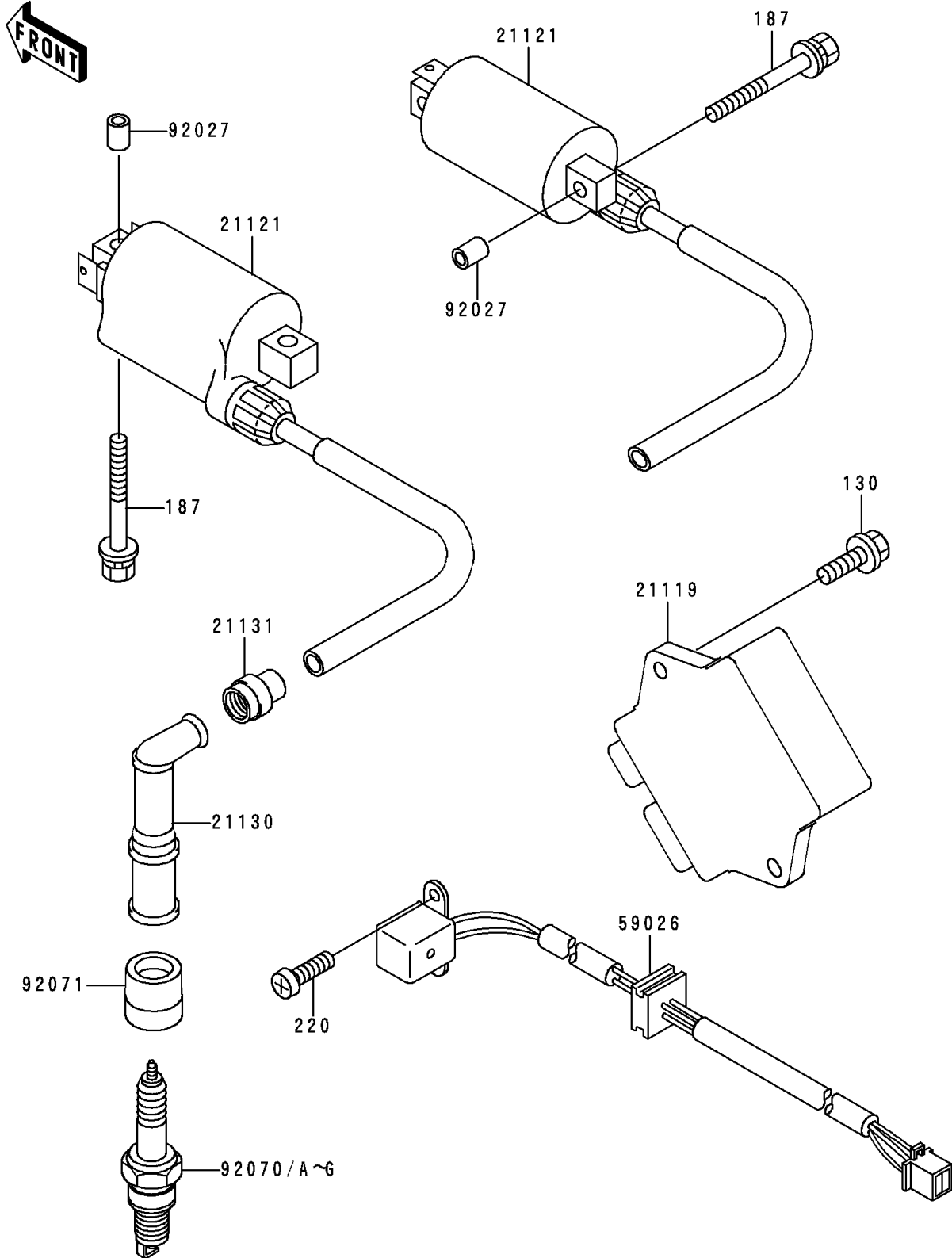


1997 Ninja® 500R PARTS DIAGRAM

Ignition System

E 1830



1997 Ninja® 500R PARTS LIST

Ignition System

ITEM NAME	PART NUMBER	QUANTITY
BOLT-FLANGED,6X16 (Ref # 130)	130H0616	2
BOLT-UPSET-WSP (Ref # 187)	187G0625	4
SCREW-PAN-CROS (Ref # 220)	220B0510	2
IGNITER (Ref # 21119)	21119-1408	1
COIL-IGNITION (Ref # 21121)	21121-1153	2
CAP-SPARK PLUG (Ref # 21130)	21130-1068	2
GROMMET,HIGH TENSION (Ref # 21131)	21131-005	2
COIL-PULSING (Ref # 59026)	59026-1126	1
COLLAR,6.8X10X6 (Ref # 92027)	92027-103	4
PLUG-SPARK,X24ESR-U(ND) (Ref # 92070)		2
PLUG-SPARK,X27ESR-U(ND) (Ref # 92070E)		2
PLUG-SPARK,DR9EA(NGK) (Ref # 92070F)	92070-1189	2
PLUG-SPARK,DR8EA(NGK) (Ref # 92070G)	92070-1199	2
GROMMET,PLUG CAP (Ref # 92071)	92071-1146	2