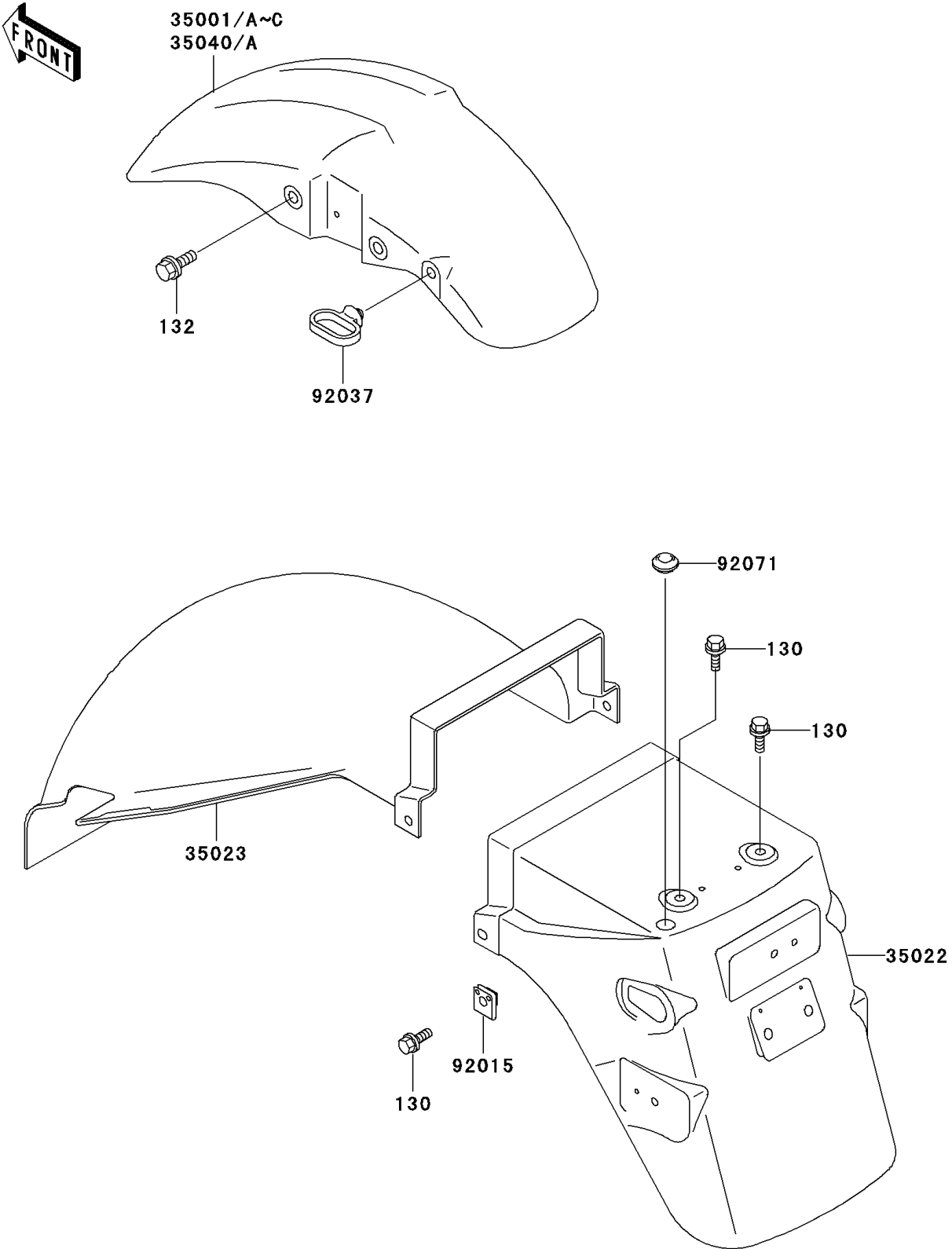


# 2000 Ninja® 500R PARTS DIAGRAM

Fenders

F2170



## 2000 Ninja® 500R PARTS LIST

### Fenders

ITEM NAME	PART NUMBER	QUANTITY
BOLT-FLANGED,6X16 (Ref # 130)	130B0616	4
BOLT-FLANGED-SMALL (Ref # 132)	132J0820	4
FENDER-ASSY-FRONT,C.L.BLUE (Ref # 35001A)	35001-1155-E1	1
FENDER-COMP-REAR,RR,BLACK (Ref # 35022)	35022-1229-6Z	1
FENDER-REAR,FR (Ref # 35023)	35023-1391	1
NUT,CLAMP,6MM (Ref # 92015)	92015-1678	2
CLAMP,CABLE (Ref # 92037)	92037-1459	1
GROMMET,10MM (Ref # 92071)	92071-019	1
FENDER-ASSY-FRONT,EBONY (Ref # 35001B)	35001-1155-H8	1