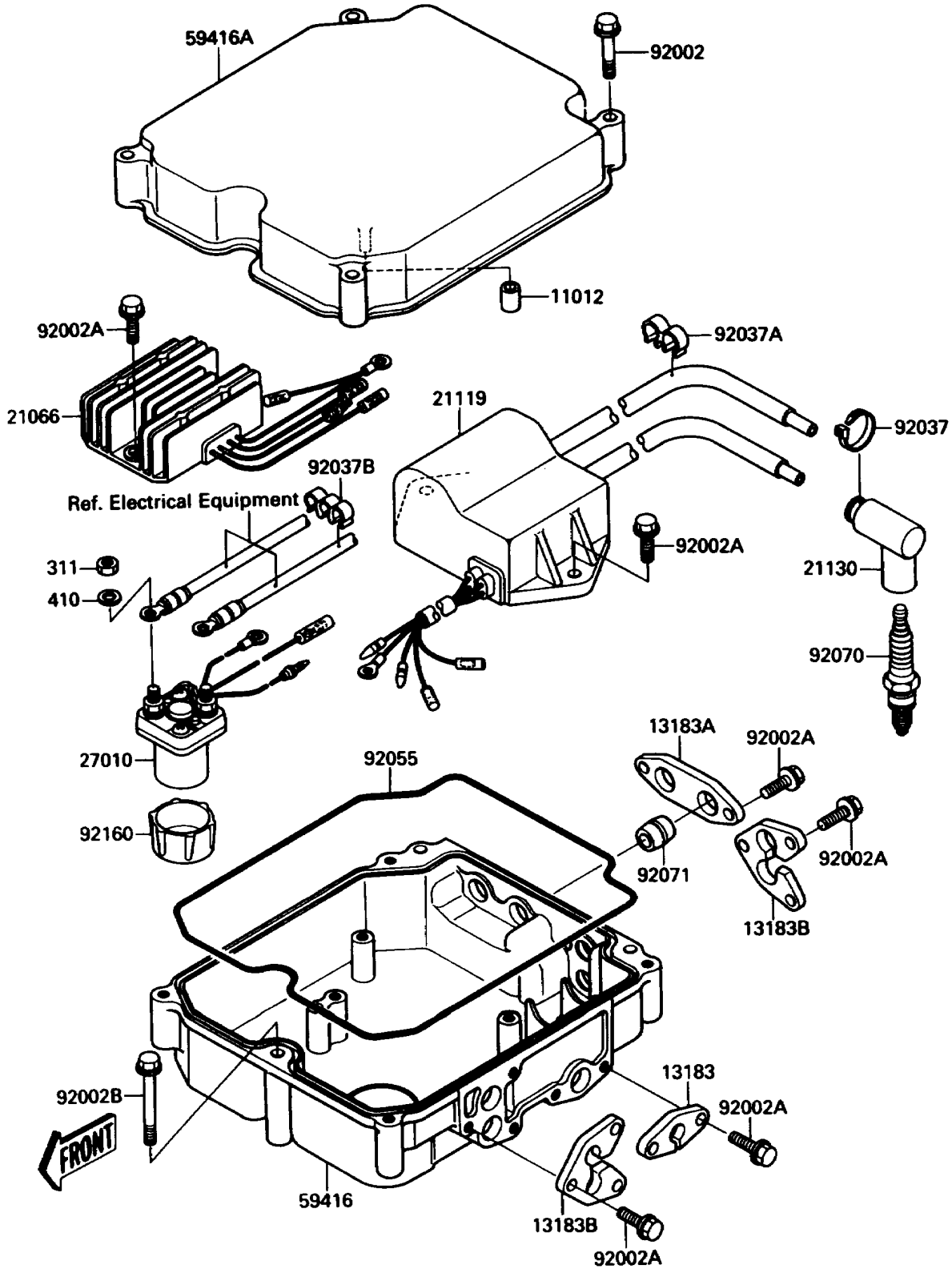


1989 Jet Mate PARTS DIAGRAM

Ignition System

(E1830)



1989 Jet Mate PARTS LIST

Ignition System

ITEM NAME	PART NUMBER	QUANTITY
CAP (Ref # 11012)	11012-3734	1
PLATE (Ref # 13183)	13183-3712	1
PLATE (Ref # 13183A)	13183-3730	1
PLATE (Ref # 13183B)	13183-3737	2
REGULATOR-VOLTAGE (Ref # 21066)	21066-3706	1
IGNITER (Ref # 21119)	21119-3710	1
CAP-SPARK PLUG (Ref # 21130)	21130-1062	2
SWITCH,STARTER RELAY (Ref # 27010)	27010-3714	1
CASE-ELECTRIC (Ref # 59416)	59416-3718	1
CASE-ELECTRIC (Ref # 59416A)	59416-3719	1
BOLT,6X35 (Ref # 92002)	92002-3715	4
BOLT,6X20 (Ref # 92002A)	92002-3755	14
BOLT,6X55 (Ref # 92002B)	92002-3772	3
CLAMP (Ref # 92037)	92037-1173	2
CLAMP,HOSE (Ref # 92037A)	92037-1603	2
CLAMP,CABLE (Ref # 92037B)	92037-1697	1
RING-O,ELECTRIC CASE (Ref # 92055)	92055-3715	1
PLUG-SPARK,BR7ES(NGK) (Ref # 92070)	92070-3701	2
GROMMET (Ref # 92071)	92071-3756	2
DAMPER (Ref # 92160)	92160-3729	1
NUT-HEX,6MM (Ref # 311)	311R0600	2
WASHER-PLAIN-SMALL,6MM (Ref # 410)	410S0600	2