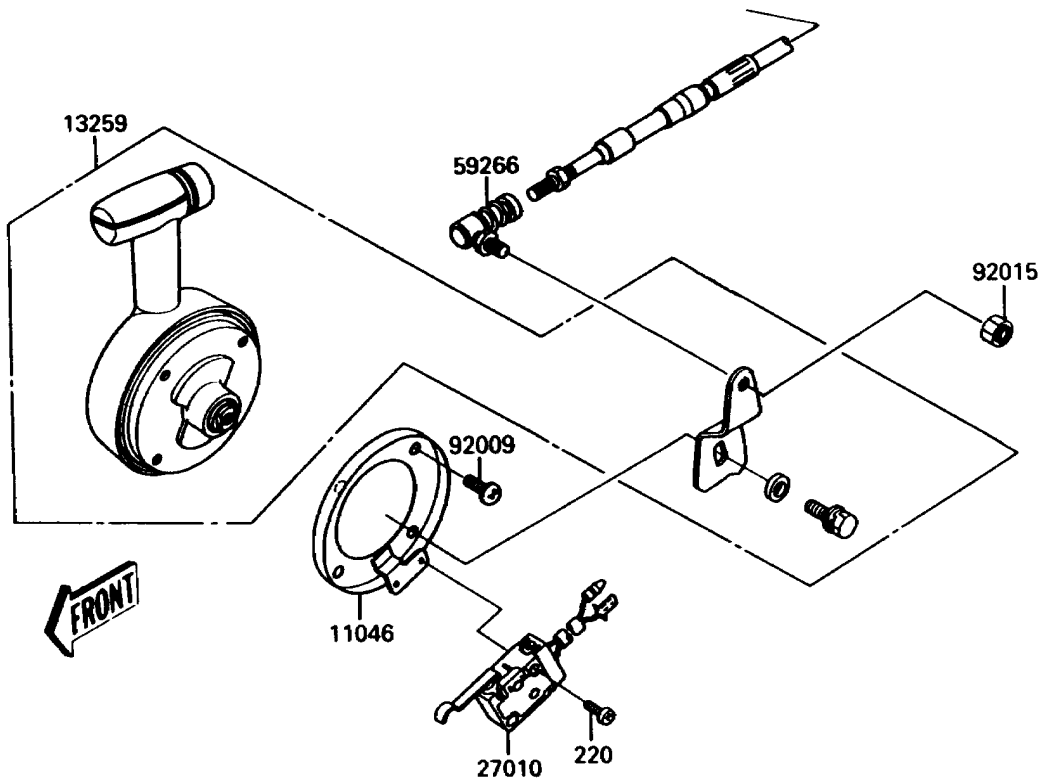
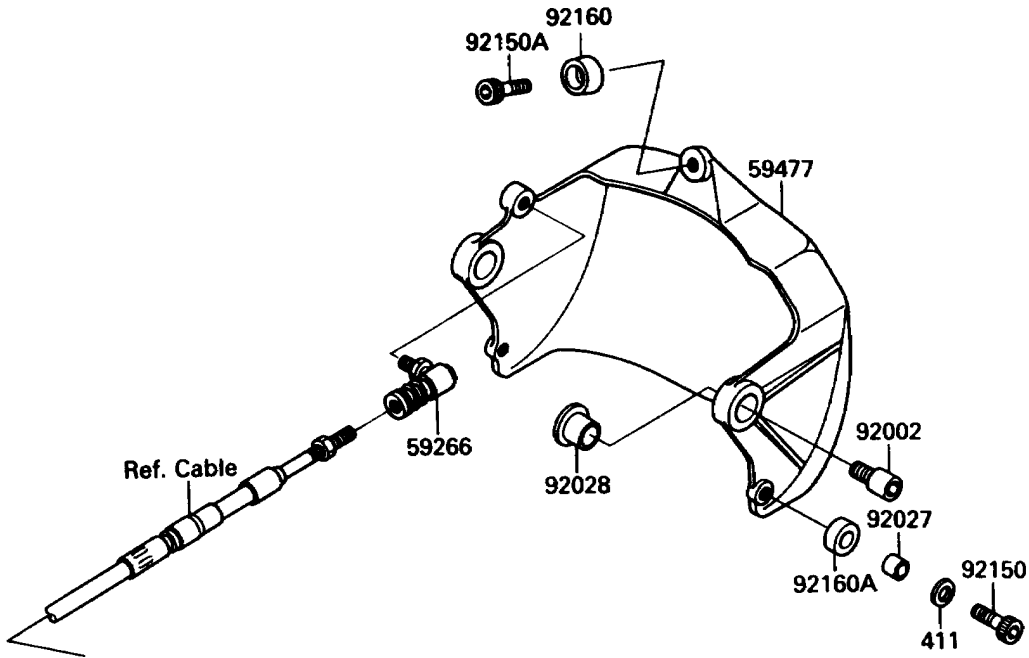


1990 Jet Mate PARTS DIAGRAM

Handle Pole(Reverse)

(F3171A)



FRONT

1990 Jet Mate PARTS LIST

Handle Pole(Reverse)

ITEM NAME	PART NUMBER	QUANTITY
BRACKET,SHIFT CONTROL LEVER (Ref # 11046)	11046-3812	1
LEVER-ASSY-SHIFT CONTROL (Ref # 13259)	13259-3701	1
SWITCH (Ref # 27010)	27010-3718	1
JOINT-BALL (Ref # 59266)	59266-3701	2
BUCKET-REVERSE (Ref # 59477)	59477-3701	1
BOLT,SOCKET,6X11 (Ref # 92002)	92001-3701	2
SCREW,5X12 (Ref # 92009)	92009-3737	4
NUT,LOCK,6MM (Ref # 92015)	92015-3766	1
COLLAR,6.2X10X10 (Ref # 92027)	92027-3705	2
BUSHING (Ref # 92028)	92028-3740	2
BOLT,SOCKET,6X20 (Ref # 92150)	92150-3748	2
BOLT,SOCKET,6X10 (Ref # 92150A)	92150-3759	1
DAMPER (Ref # 92160)	92160-3738	1
DAMPER (Ref # 92160A)	92160-3739	2
SCREW-PAN-CROS,3X14 (Ref # 220)	220R0314	2
WASHER-PLAIN,6MM (Ref # 411)	411S0600	2