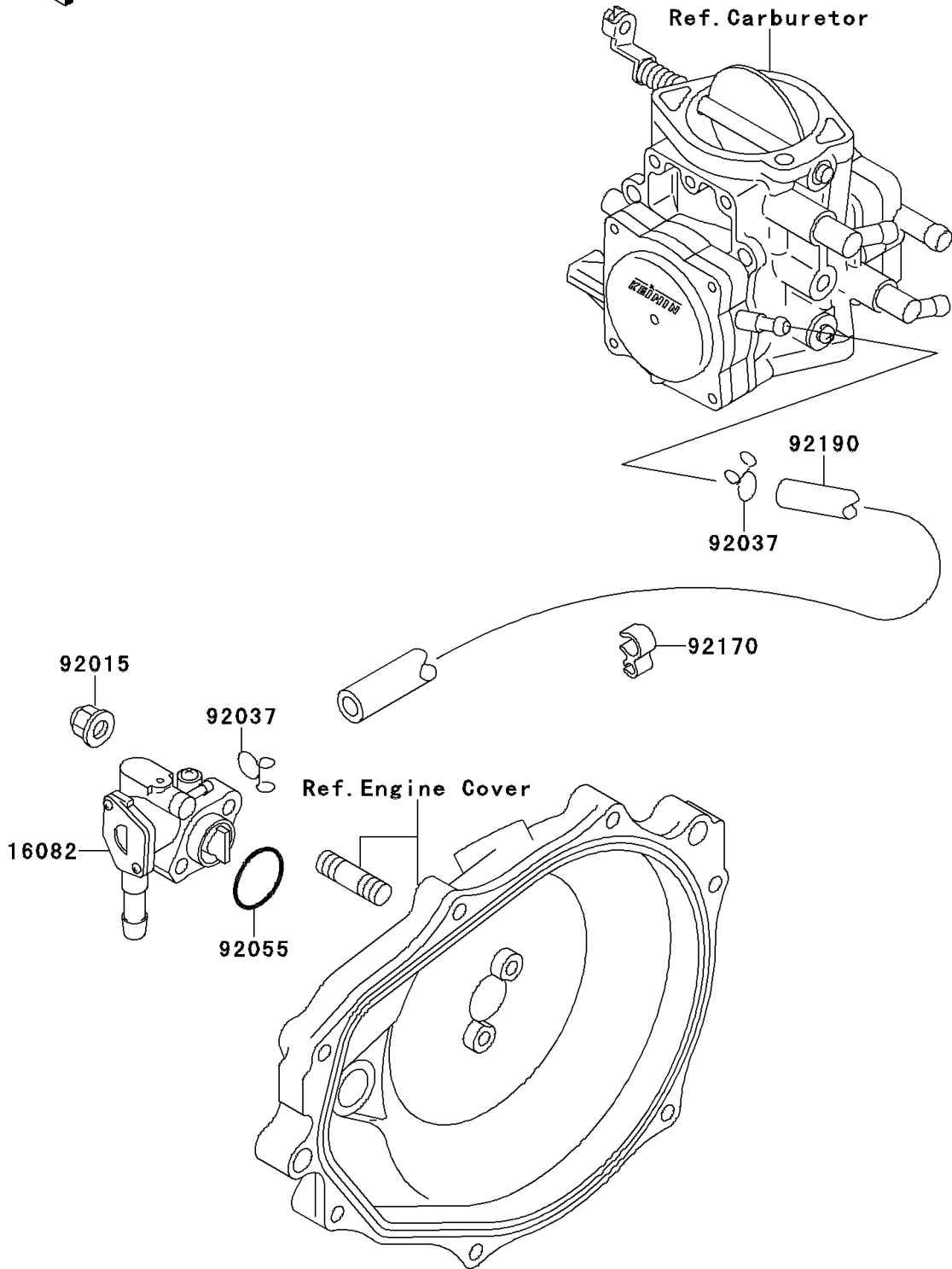


1995 X2 PARTS DIAGRAM

Oil Pump

E1710



1995 X2 PARTS LIST

Oil Pump

ITEM NAME	PART NUMBER	QUANTITY
PUMP-ASSY-OIL (Ref # 16082)	16082-3710	1
NUT,CAP,6MM (Ref # 92015)	92015-1385	2
CLAMP (Ref # 92037)	92037-3722	2
RING-O,19.5X1.5 (Ref # 92055)	92055-055	1
CLAMP,HOSE (Ref # 92170)	92170-3732	1
TUBE,3X6X470 (Ref # 92190)	92190-3909	1