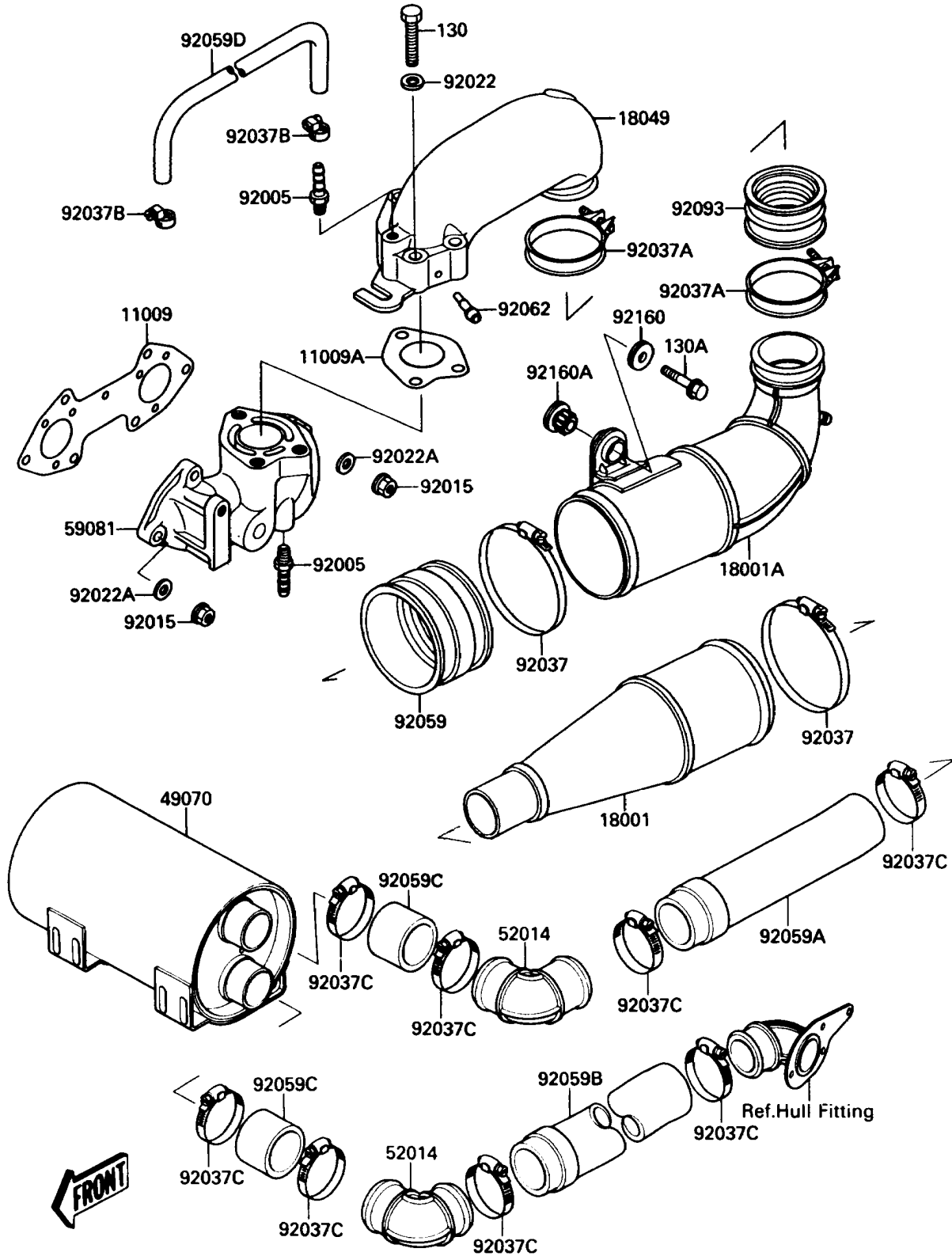


# 1988 X2 PARTS DIAGRAM

Muffler(s)

E1140-0289



# 1988 X2 PARTS LIST

## Muffler(s)

| ITEM NAME                             | PART NUMBER | QUANTITY |
|---------------------------------------|-------------|----------|
| GASKET,EXHAUST MANIFOLD (Ref # 11009) | 11009-3722  | 1        |
| GASKET,EXHAUST PIPE (Ref # 11009A)    | 11009-3723  | 1        |
| MUFFLER,BODY (Ref # 18001)            | 18001-3716  | 1        |
| MUFFLER (Ref # 18001A)                | 18001-3720  | 1        |
| PIPE-EXHAUST (Ref # 18049)            | 18049-3711  | 1        |
| MUFFLER-COMP (Ref # 49070)            | 49070-3711  | 1        |
| ELBOW (Ref # 52014)                   | 52014-3702  | 2        |
| MANIFOLD-EXHAUST (Ref # 59081)        | 59081-3702  | 1        |
| FITTING,HOSE (Ref # 92005)            | 92005-3001  | 1        |
| NUT,8MM (Ref # 92015)                 | 92015-3709  | 6        |
| WASHER,10.2X20X1.5 (Ref # 92022)      | 92022-3742  | 3        |
| WASHER,8.2X18X1.5 (Ref # 92022A)      | 92022-3743  | 6        |
| CLAMP,MAX120.7MM (Ref # 92037)        | 92037-3733  | 2        |
| CLAMP,68MM (Ref # 92037A)             | 92037-3740  | 2        |
| CLAMP (Ref # 92037B)                  | 92037-504   | 2        |
| CLAMP (Ref # 92037C)                  | 92037-509   | 8        |
| TUBE,MUFFLER CONNECTING (Ref # 92059) | 92059-3767  | 1        |
| TUBE (Ref # 92059A)                   | 92059-3805  | 1        |
| TUBE (Ref # 92059B)                   | 92059-3806  | 1        |
| TUBE (Ref # 92059C)                   | 92059-3807  | 2        |
| TUBE (Ref # 92059D)                   | 92059-3816  | 1        |
| NOZZLE (Ref # 92062)                  | 92062-3705  | 1        |
| SEAL (Ref # 92093)                    | 92093-3705  | 1        |
| DAMPER,MUFFLER (Ref # 92160)          | 92160-3701  | 1        |
| DAMPER,MUFFLER MOUNT (Ref # 92160A)   | 92160-3702  | 1        |
| BOLT-FLANGED (Ref # 130)              | 130Y1050    | 3        |
| BOLT-FLANGED (Ref # 130A)             | 130Z0845    | 1        |