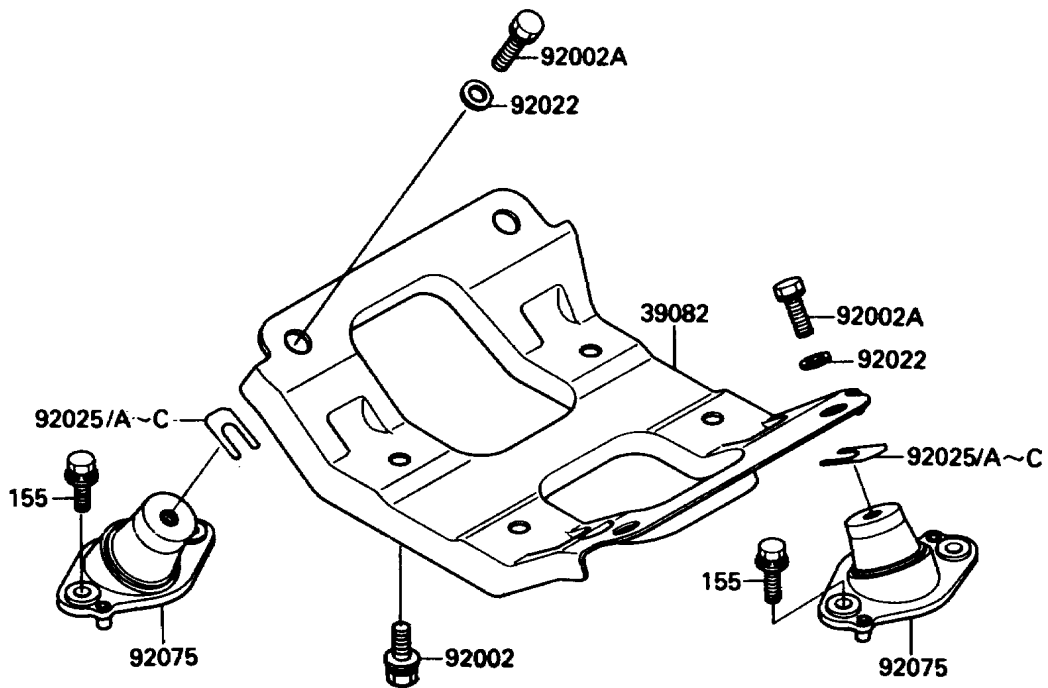


1990 X2 PARTS DIAGRAM

Engine Mount

F3144



1990 X2 PARTS LIST

Engine Mount

ITEM NAME	PART NUMBER	QUANTITY
BOLT-WSP-SMALL,8X20 (Ref # 155)	155R0820	8
MOUNT-ENGINE (Ref # 39082)	39082-3705	1
BOLT,10X25 (Ref # 92002)	92002-3765	4
BOLT,10X25 (Ref # 92002A)	92002-3770	4
WASHER,32X10.5X4 (Ref # 92022)	92022-3023	4
SHIM,T=0.3MM (Ref # 92025)	92025-3705	AR
SHIM,T=0.5MM (Ref # 92025A)	92025-3706	AR
SHIM,T=1.0MM (Ref # 92025B)	92025-3707	AR
SHIM,T=1.5MM (Ref # 92025C)	92025-3708	AR
DAMPER,ENGINE MOUNT (Ref # 92075)	92075-3724	4