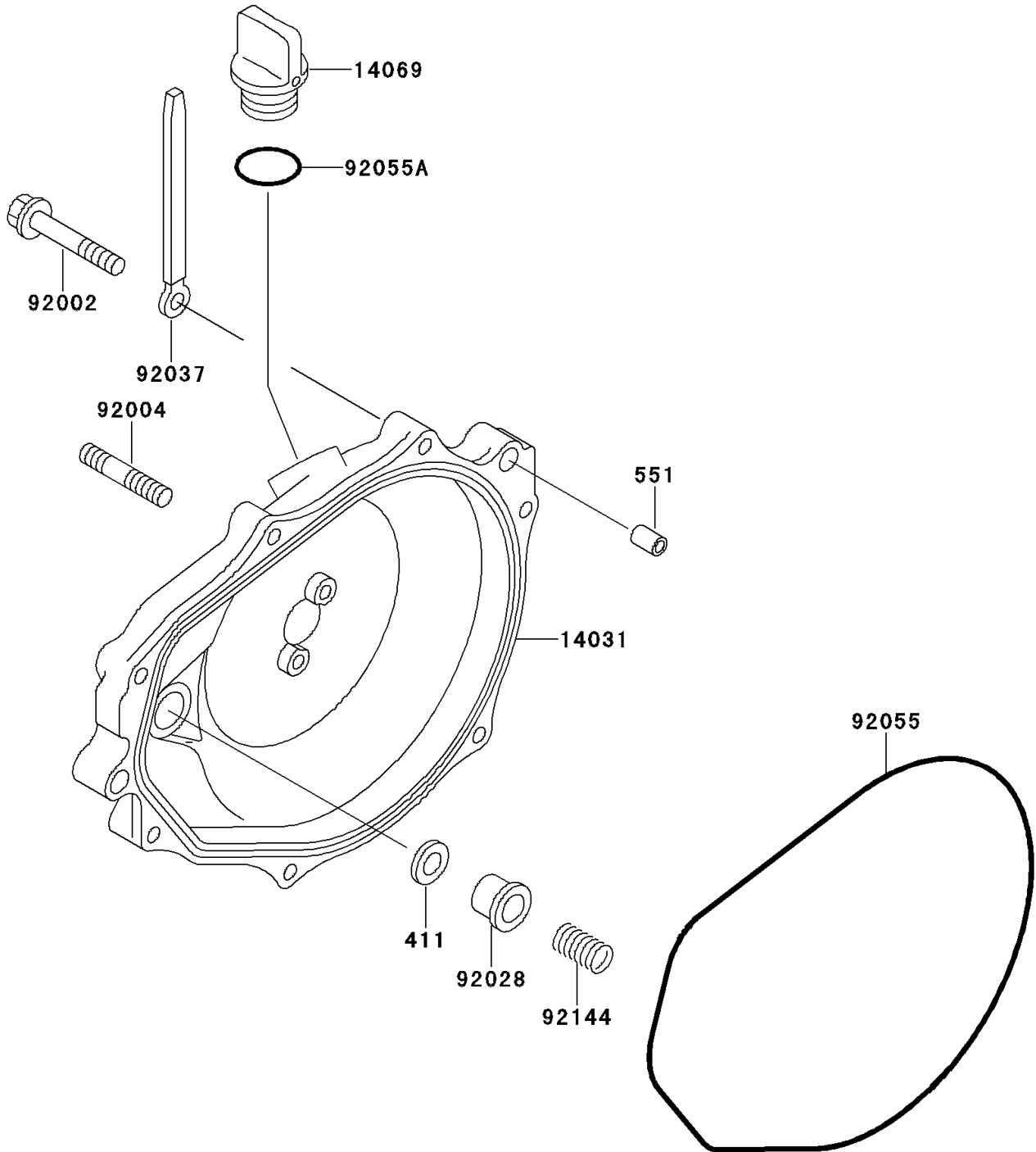


# 1991 X2 PARTS DIAGRAM

Engine Cover(s)

E1431



## 1991 X2 PARTS LIST

### Engine Cover(s)

ITEM NAME	PART NUMBER	QUANTITY
WASHER-PLAIN,5MM (Ref # 411)	411S0500	1
PIN-DOWEL (Ref # 551)	551R0812	2
COVER-GENERATOR (Ref # 14031)	14031-3710	1
BREATHER (Ref # 14069)	14069-3709	1
BOLT,6X30 (Ref # 92002)	92002-3726	7
STUD (Ref # 92004)	92004-3710	2
BUSHING (Ref # 92028)	92028-3718	1
CLAMP,L=100 (Ref # 92037)	92037-3736	3
RING-O,GENERATOR COVER (Ref # 92055)	92055-3712	1
RING-O (Ref # 92055A)	92055-515	1
SPRING (Ref # 92144)	92144-3728	1