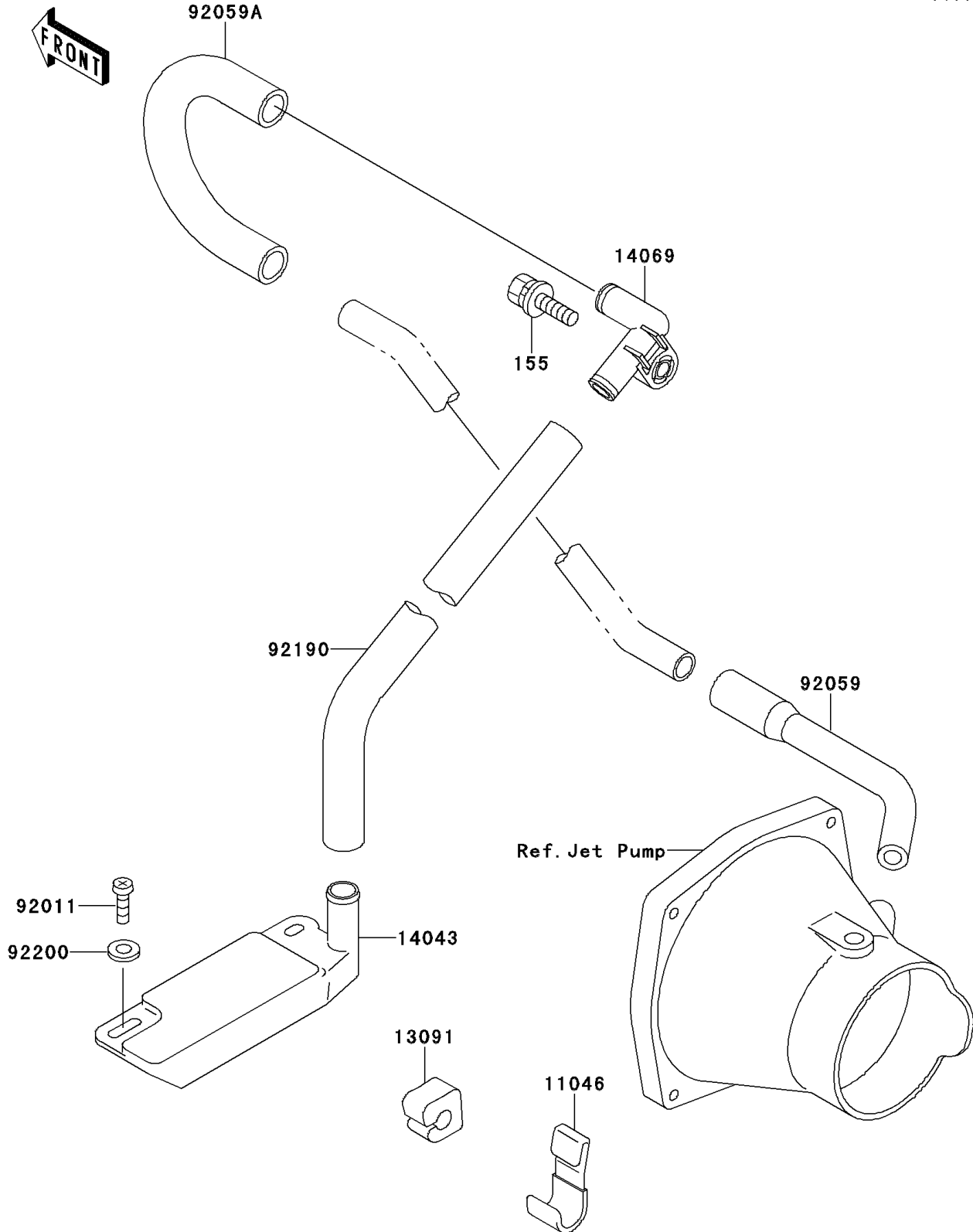


# 1993 X2 PARTS DIAGRAM

Bilge System

F3145



# 1993 X2 PARTS LIST

## Bilge System

ITEM NAME	PART NUMBER	QUANTITY
BOLT-WSP-SMALL,8X25 (Ref # 155)	155R0825	1
HOLDER (Ref # 13091)	13091-3712	3
FILTER (Ref # 14043)	14043-3707	1
BREATHER,BILGE (Ref # 14069)	14069-3705	1
SCREW,TAPPING (Ref # 92011)	92011-561	2
TUBE,L=200 (Ref # 92059)	92059-3894	1
TUBE,15.5X21.5X380 (Ref # 92059A)	92059-3895	1
TUBE,15.5X21.5X260 (Ref # 92190)	92190-3720	1
WASHER,5.9X16X1.5 (Ref # 92200)	92200-3714	2