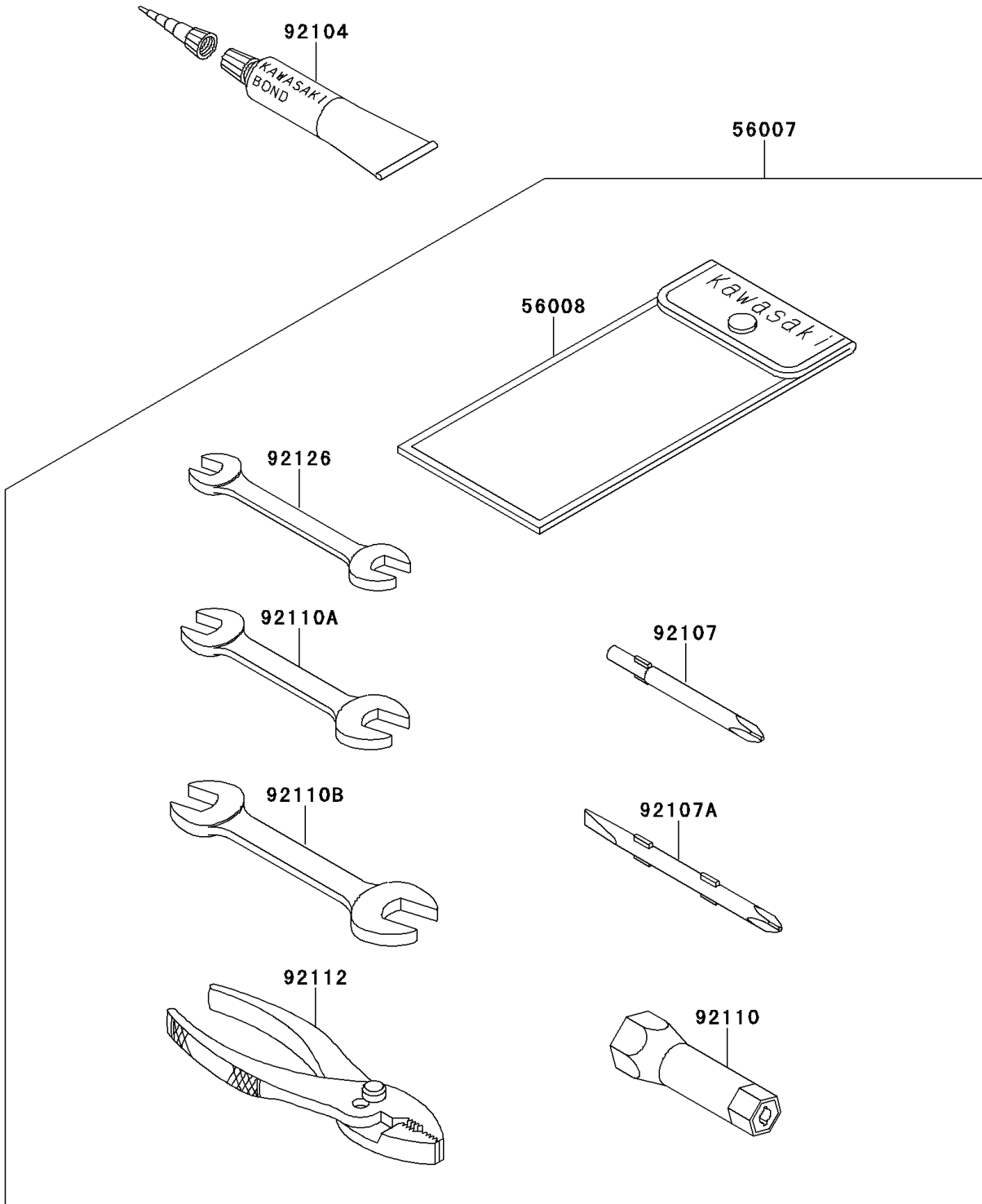


# 1993 X2 PARTS DIAGRAM

Owner's Tools

F3182



## 1993 X2 PARTS LIST

### Owner's Tools

| ITEM NAME                                    | PART NUMBER | QUANTITY |
|--|-------------|----------|
| TOOLKIT (Ref # 56007)                        | 56007-3707  | 1        |
| BAG,TOOL (Ref # 56008)                       | 56008-1007  | 1        |
| GASKET-LIQUID,TUBE,100G,SILVER (Ref # 92104) | 92104-002   | AR       |
| TOOL-DRIVER,#3PHILLIPS (Ref # 92107)         | 92107-005   | 1        |
| TOOL-DRIVER,#2PHILLIPS&SLOT (Ref # 92107A)   | 92107-1051  | 1        |
| TOOL-WRENCH,BOX,21MM (Ref # 92110)           | 92110-1113  | 1        |
| TOOL-WRENCH,OPEN END,10X12 (Ref # 92110A)    | 92110-1152  | 1        |
| TOOL-WRENCH,OPEN END,14X17 (Ref # 92110B)    | 92110-1153  | 1        |
| TOOL-PLIERS (Ref # 92112)                    | 92112-003   | 1        |
| TOOL-WRENCH,OPEN END,8X10 (Ref # 92126)      | 92126-001   | 1        |