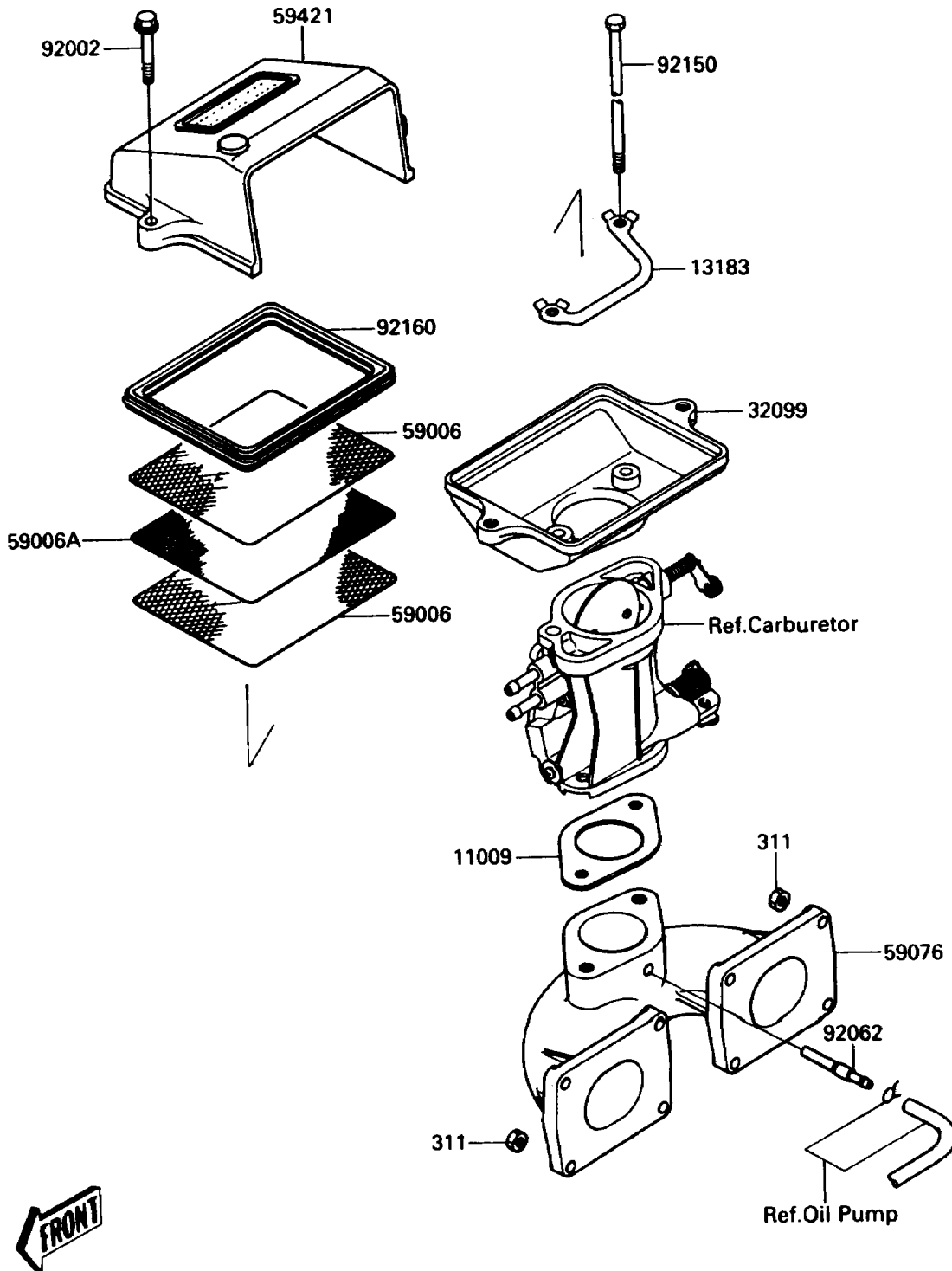


# 1990 TS PARTS DIAGRAM

Flame Arrester

E1614



## 1990 TS PARTS LIST

### Flame Arrester

| ITEM NAME                         | PART NUMBER | QUANTITY |
|-----------------------------------|-------------|----------|
| GASKET,CARBURETOR (Ref # 11009)   | 11009-3753  | 1        |
| PLATE (Ref # 13183)               | 13183-3726  | 1        |
| CASE,FLAME ARRESTER (Ref # 32099) | 32099-3736  | 1        |
| ARRESTER-FLAME (Ref # 59006)      | 59006-3707  | 2        |
| ARRESTER-FLAME (Ref # 59006A)     | 59006-3708  | 1        |
| MANIFOLD-INTAKE (Ref # 59076)     | 59076-3705  | 1        |
| COVER-INTAKE (Ref # 59421)        | 59421-3708  | 1        |
| BOLT,6X30 (Ref # 92002)           | 92002-3726  | 2        |
| NOZZLE (Ref # 92062)              | 92062-3703  | 1        |
| BOLT,6X113 (Ref # 92150)          | 92150-3724  | 2        |
| DAMPER (Ref # 92160)              | 92160-3704  | 1        |
| NUT-HEX,6MM (Ref # 311)           | 311R0600    | 8        |