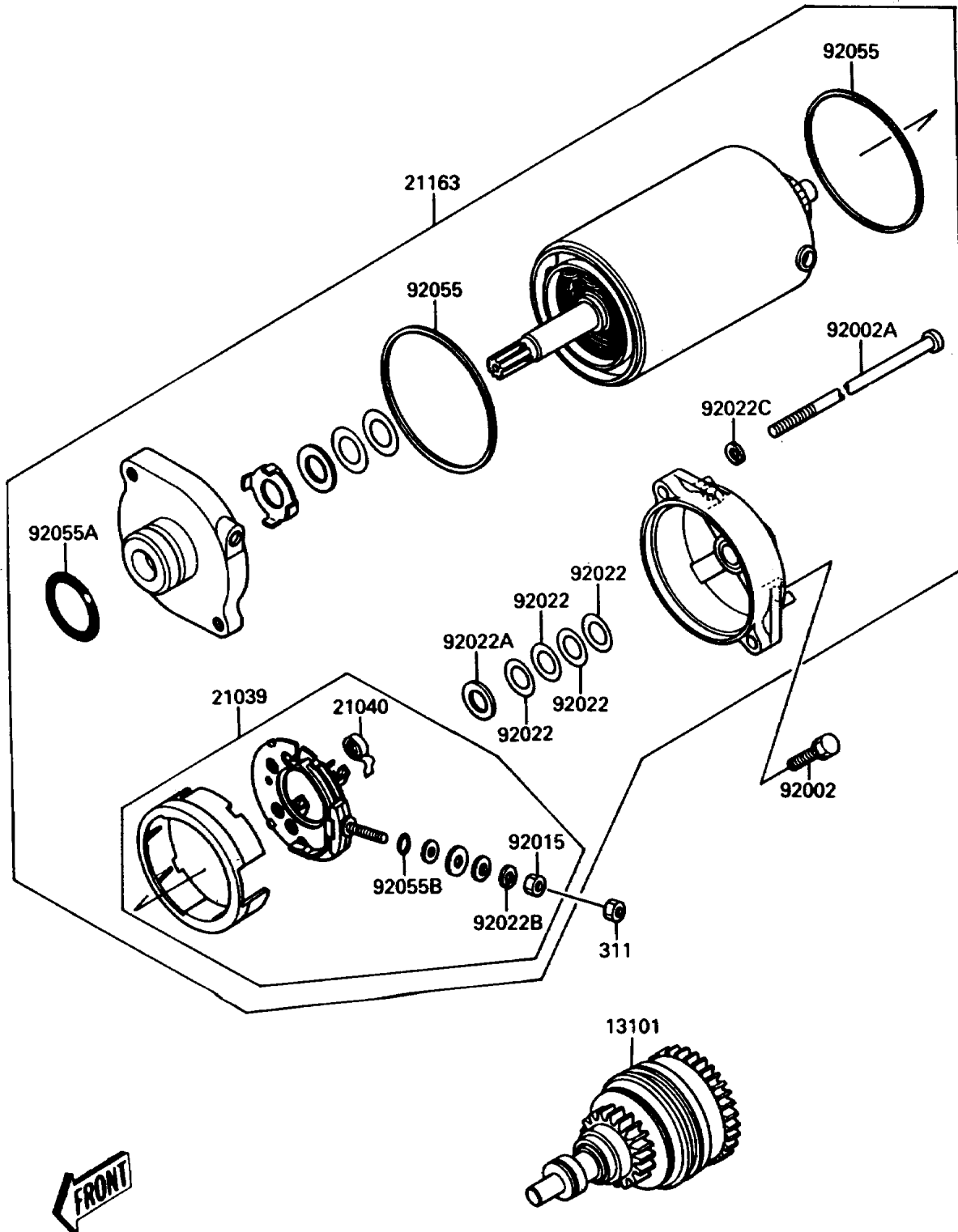


# 1990 TS PARTS DIAGRAM

Starter Motor

E1840



# 1990 TS PARTS LIST

## Starter Motor

| ITEM NAME                        | PART NUMBER | QUANTITY |
|----------------------------------|-------------|----------|
| GEAR-ASSY (Ref # 13101)          | 13101-3701  | 1        |
| BRUSH,CARBON (Ref # 21039)       | 21039-3702  | 1        |
| SPRING-BRUSH (Ref # 21040)       | 21040-1003  | 4        |
| STARTER-ELECTRIC (Ref # 21163)   | 21163-3702  | 1        |
| BOLT,6X25 (Ref # 92002)          | 92002-3714  | 2        |
| BOLT (Ref # 92002A)              | 92002-3744  | 2        |
| NUT,6MM (Ref # 92015)            | 92015-3710  | 2        |
| WASHER,9.1X18X0.2 (Ref # 92022)  | 21025-011   | 4        |
| WASHER,9.1X18X0.8 (Ref # 92022A) | 92022-1132  | 2        |
| WASHER,6MM (Ref # 92022B)        | 92022-3711  | 1        |
| WASHER,SPRING,5MM (Ref # 92022C) | 92022-3712  | 2        |
| RING-O,64MM (Ref # 92055)        | 92055-1086  | 2        |
| RING-O (Ref # 92055A)            | 92055-1276  | 1        |
| RING-O,4.5X2.0 (Ref # 92055B)    | 92055-1370  | 1        |
| NUT-HEX,6MM (Ref # 311)          | 311R0600    | 1        |