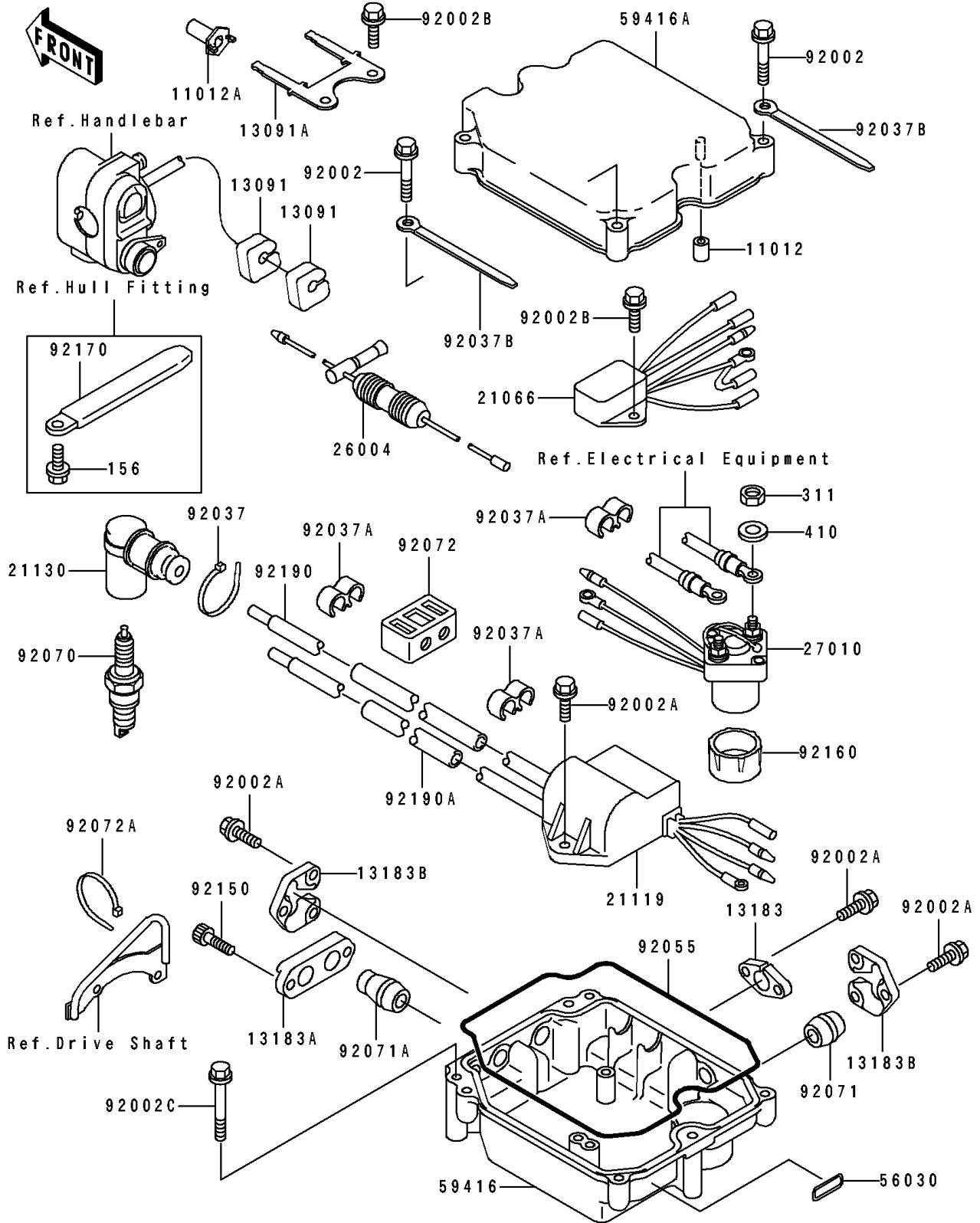


1996 TS PARTS DIAGRAM

Ignition System

E1830



1996 TS PARTS LIST

Ignition System

| ITEM NAME | PART NUMBER | QUANTITY |
|--|-------------|----------|
| CAP (Ref # 11012) | 11012-3734 | 1 |
| CAP,HOLDER (Ref # 11012A) | 11012-3768 | 2 |
| HOLDER (Ref # 13091) | 13091-3712 | 2 |
| HOLDER (Ref # 13091A) | 13091-3787 | 1 |
| PLATE (Ref # 13183) | 13183-3712 | 1 |
| PLATE,ELECTRIC BASE (Ref # 13183A) | 13183-3767 | 1 |
| PLATE,ELECTRIC CASE (Ref # 13183B) | 13183-3768 | 2 |
| REGULATOR-VOLTAGE (Ref # 21066) | 21066-3708 | 1 |
| IGNITER (Ref # 21119) | 21119-3721 | 1 |
| CAP-SPARK PLUG (Ref # 21130) | 21130-3706 | 2 |
| FUSE-ASSY (Ref # 26004) | 26004-3711 | 1 |
| SWITCH,STARTER RELAY (Ref # 27010) | 27010-3714 | 1 |
| LABEL,FUSE (Ref # 56030) | 56030-3792 | 1 |
| CASE-ELECTRIC (Ref # 59416) | 59416-3744 | 1 |
| CASE-ELECTRIC (Ref # 59416A) | 59416-3745 | 1 |
| BOLT,6X35 (Ref # 92002) | 92002-3715 | 4 |
| BOLT,6X20 (Ref # 92002A) | 92002-3755 | 10 |
| BOLT,6X12 (Ref # 92002B) | 92002-3763 | 4 |
| BOLT,6X55 (Ref # 92002C) | 92002-3772 | 3 |
| CLAMP (Ref # 92037) | 92037-1173 | 2 |
| CLAMP,HOSE (Ref # 92037A) | 92037-1603 | 3 |
| CLAMP,L=100 (Ref # 92037B) | 92037-3736 | 2 |
| RING-O,ELECTRIC CASE (Ref # 92055) | 92055-3715 | 1 |
| PLUG-SPARK,BR7ES(NGK) (Ref # 92070) | 92070-3701 | 2 |
| GROMMET,ELECTRIC CASE (Ref # 92071) | 92071-3765 | 1 |
| GROMMET,HIGH TENSION CODE (Ref # 92071A) | 92071-3778 | 2 |
| BAND (Ref # 92072) | 92072-3754 | 1 |
| BAND (Ref # 92072A) | 92072-3778 | 2 |
| BOLT,SOCKET,6X18 (Ref # 92150) | 92150-3775 | 2 |

1996 TS PARTS LIST

Ignition System

| ITEM NAME | PART NUMBER | QUANTITY |
|--|-------------|----------|
| DAMPER (Ref # 92160) | 92160-3729 | 1 |
| CLAMP (Ref # 92170) | 92170-3705 | 1 |
| TUBE,HIGH TENSION,L=330 (Ref # 92190) | 92190-3707 | 1 |
| TUBE,HIGH TENSION,L=210 (Ref # 92190A) | 92190-3708 | 1 |
| BOLT-WP,6X12 (Ref # 156) | 156R0612 | 1 |
| NUT-HEX,6MM (Ref # 311) | 311R0600 | 2 |
| WASHER-PLAIN-SMALL,6MM (Ref # 410) | 410S0600 | 2 |