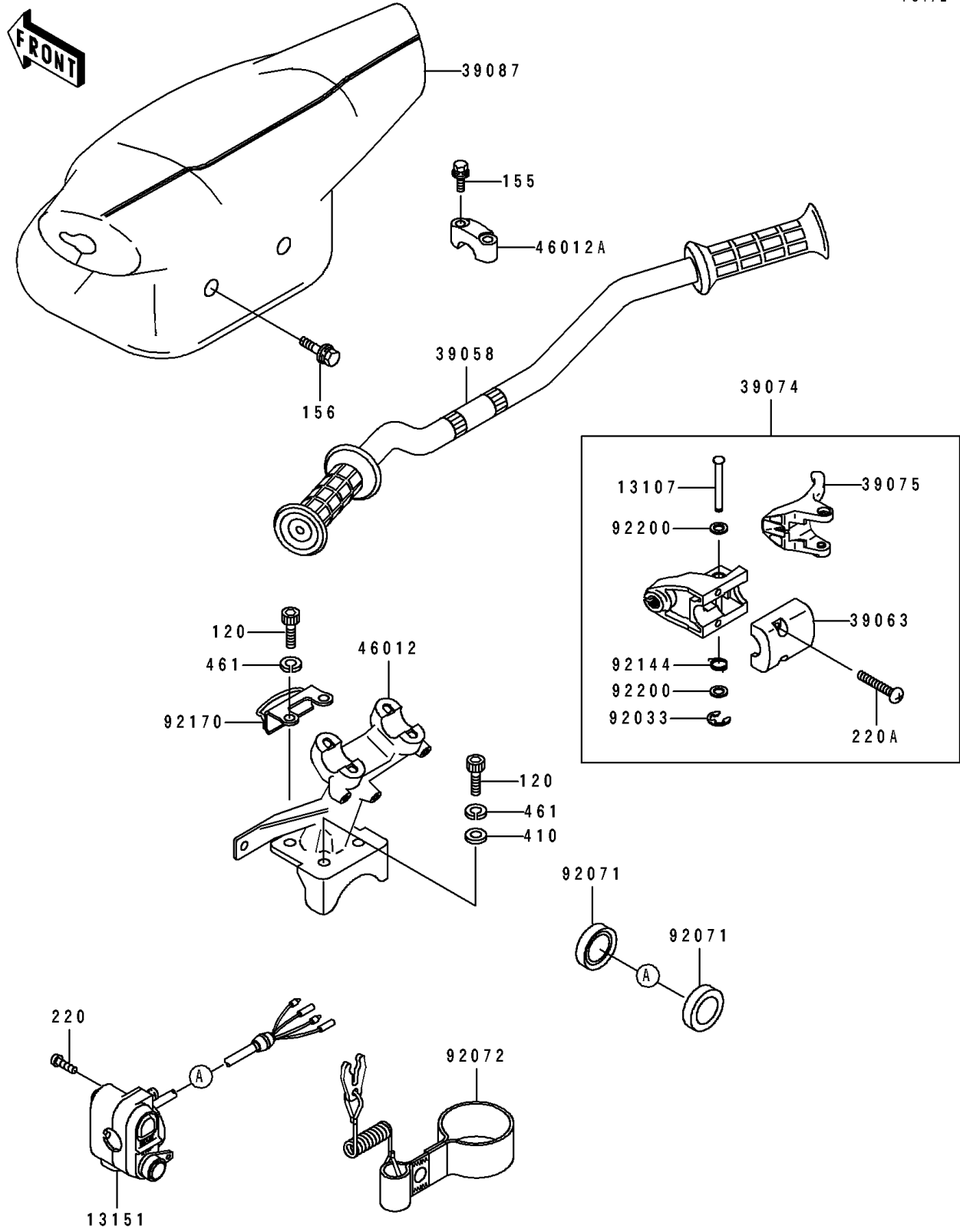


1996 TS PARTS DIAGRAM

Handlebar

F3172



1996 TS PARTS LIST

Handlebar

| ITEM NAME | PART NUMBER | QUANTITY |
|--------------------------------------|---------------|----------|
| SHAFT (Ref # 13107) | 13107-3740 | 1 |
| SWITCH-COMP,STOP&START (Ref # 13151) | 13151-3710 | 1 |
| HANDLE-COMP,J.S.VIOLET (Ref # 39058) | 39058-3716-63 | 1 |
| HOUSING-CONTROL (Ref # 39063) | 39063-3720 | 1 |
| LEVER-ASSY-THROTTLE (Ref # 39074) | 39074-3717 | 1 |
| LEVER-THROTTLE (Ref # 39075) | 39075-3710 | 1 |
| PAD-HANDLE,J.S.VIOLET (Ref # 39087) | 39087-3719-PJ | 1 |
| HOLDER-HANDLE,LWR (Ref # 46012) | 46012-3718 | 1 |
| HOLDER-HANDLE,UPP (Ref # 46012A) | 46012-3720 | 2 |
| RING-SNAP (Ref # 92033) | 92033-3723 | 1 |
| GROMMET (Ref # 92071) | 92071-3771 | 2 |
| BAND,TETHER SWITCH (Ref # 92072) | 92072-3767 | 1 |
| SPRING (Ref # 92144) | 92144-3749 | 1 |
| CLAMP,HARNESS&CABLE (Ref # 92170) | 92170-3727 | 1 |
| WASHER (Ref # 92200) | 92200-3738 | 2 |
| BOLT-SOCKET,8X25 (Ref # 120) | 120R0825 | 4 |
| BOLT-WSP-SMALL,8X35 (Ref # 155) | 155R0835 | 4 |
| BOLT-WP,6X18 (Ref # 156) | 156R0618 | 2 |
| SCREW-PAN-CROS,5X30 (Ref # 220) | 220R0530 | 2 |
| SCREW-PAN-CROS (Ref # 220A) | 220R0630 | 2 |
| WASHER-PLAIN-SMALL,8MM (Ref # 410) | 410S0800 | 2 |
| WASHER-SPRING,8MM (Ref # 461) | 461S0800 | 4 |