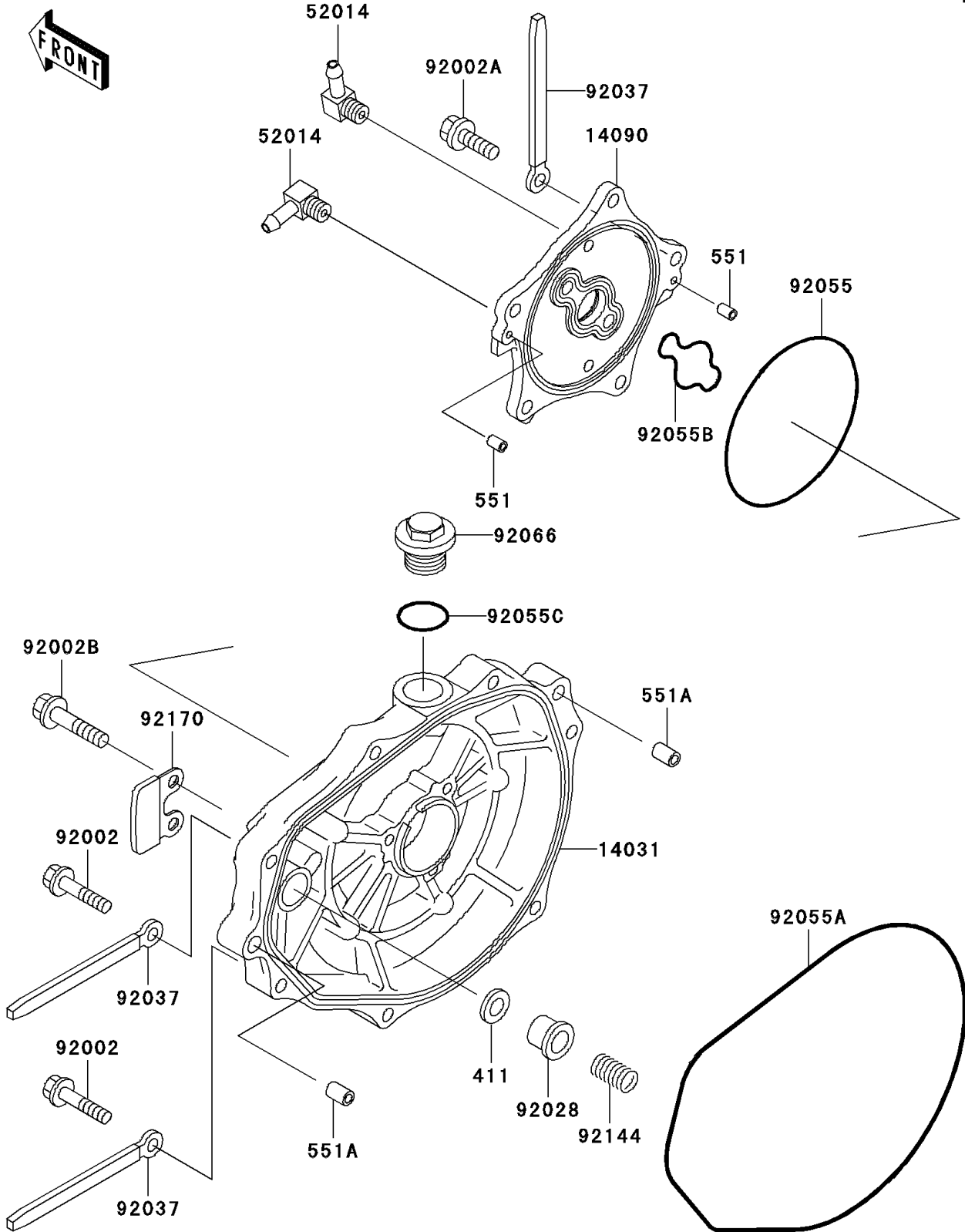


1999 1100 ZXi PARTS DIAGRAM

Engine Cover(s)

E1431



1999 1100 ZXi PARTS LIST

Engine Cover(s)

ITEM NAME	PART NUMBER	QUANTITY
WASHER-PLAIN,5MM (Ref # 411)	411S0500	1
PIN-DOWEL (Ref # 551)	551R0408	2
PIN-DOWEL (Ref # 551A)	551R0812	2
COVER-GENERATOR (Ref # 14031)	14031-3725	1
COVER (Ref # 14090)	14090-3773	1
ELBOW (Ref # 52014)	52014-3709	2
BOLT,6X30 (Ref # 92002)	92002-3726	7
BOLT,6X20 (Ref # 92002A)	92002-3755	5
BOLT,6X12 (Ref # 92002B)	92002-3763	2
BUSHING (Ref # 92028)	92028-3718	1
CLAMP,L=100 (Ref # 92037)	92037-3736	3
RING-O,BREATHER BODY (Ref # 92055)	92055-1284	1
RING-O,GENERATOR COVER (Ref # 92055A)	92055-3712	1
RING-O (Ref # 92055B)	92055-3739	1
RING-O (Ref # 92055C)	92055-515	1
PLUG (Ref # 92066)	92066-3739	1
SPRING (Ref # 92144)	92144-3728	1
CLAMP (Ref # 92170)	92170-3746	1