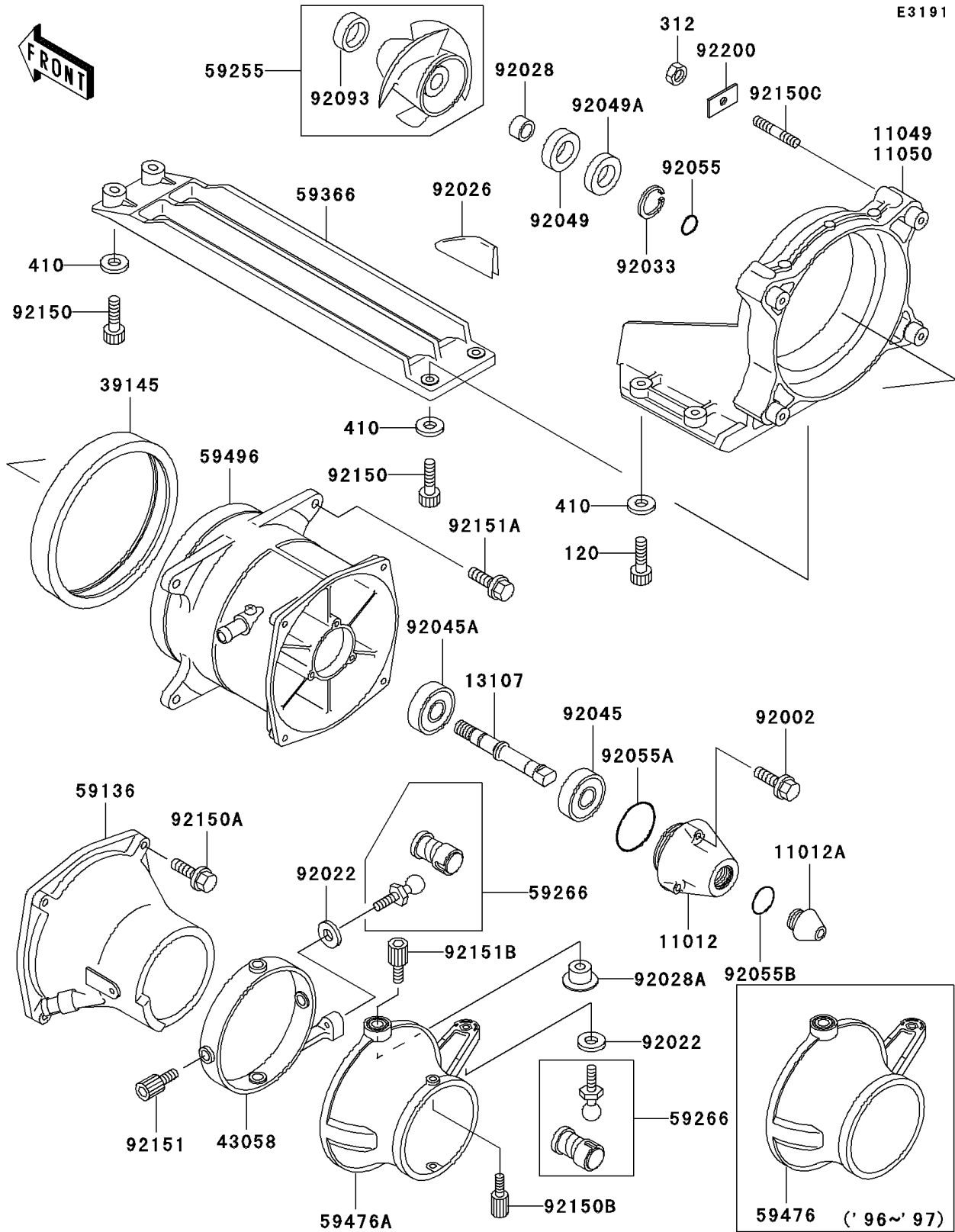


# 1999 1100 ZXi PARTS DIAGRAM

Jet Pump



# 1999 1100 ZXi PARTS LIST

## Jet Pump

| ITEM NAME                          | PART NUMBER | QUANTITY |
|------------------------------------|-------------|----------|
| BOLT-SOCKET,6X20 (Ref # 120)       | 120R0620    | 4        |
| NUT-HEX,6MM (Ref # 312)            | 312R0600    | 2        |
| WASHER-PLAIN-SMALL,6MM (Ref # 410) | 410S0600    | 8        |
| CAP (Ref # 11012)                  | 11012-3785  | 1        |
| CAP (Ref # 11012A)                 | 11012-3786  | 1        |
| BRACKET (Ref # 11050)              | 11050-3726  | 1        |
| SHAFT,JETPUMP (Ref # 13107)        | 13107-3752  | 1        |
| TRIM-SEAL (Ref # 39145)            | 39145-3742  | 1        |
| RING (Ref # 43058)                 | 43058-3723  | 1        |
| NOZZLE-PUMP (Ref # 59136)          | 59136-3736  | 1        |
| IMPELLER-COMP (Ref # 59255)        | 59255-3708  | 1        |
| JOINT-BALL (Ref # 59266)           | 59266-3707  | 2        |
| GRATE (Ref # 59366)                | 59366-3712  | 1        |
| NOZZLE-STRG (Ref # 59476A)         | 59476-3734  | 1        |
| VANE-GUIDE (Ref # 59496)           | 59496-3718  | 1        |
| BOLT,6X30 (Ref # 92002)            | 92002-3726  | 3        |
| WASHER (Ref # 92022)               | 92022-567   | 2        |
| SPACER (Ref # 92026)               | 92026-3731  | 3        |
| BUSHING (Ref # 92028)              | 92028-3756  | 1        |
| BUSHING (Ref # 92028A)             | 92028-3757  | 2        |
| RING-SNAP (Ref # 92033)            | 92033-3725  | 1        |
| BEARING-BALL,62022RD (Ref # 92045) | 92045-3721  | 1        |
| BEARING-BALL (Ref # 92045A)        | 92045-3727  | 1        |
| SEAL-OIL,SCJ30X50X7 (Ref # 92049)  | 92049-3720  | 1        |
| SEAL-OIL,SCY30X50X7 (Ref # 92049A) | 92049-3721  | 1        |
| RING-O,13X1.9 (Ref # 92055)        | 92055-1021  | 1        |
| RING-O (Ref # 92055A)              | 92055-3741  | 1        |
| RING-O (Ref # 92055B)              | 92055-3744  | 1        |
| SEAL,JET PUMP (Ref # 92093)        | 92093-3739  | 1        |

# 1999 1100 ZXi PARTS LIST

## Jet Pump

| ITEM NAME                      | PART NUMBER | QUANTITY |
|--------------------------------|-------------|----------|
| BOLT,SOCKET,6X18 (Ref # 92150) | 92150-3775  | 4        |
| BOLT,8X35 (Ref # 92150A)       | 92150-3792  | 4        |
| BOLT (Ref # 92150B)            | 92150-3808  | 2        |
| BOLT (Ref # 92150C)            | 92150-3829  | 2        |
| BOLT (Ref # 92151)             | 92151-3705  | 2        |
| BOLT,10X30 (Ref # 92151A)      | 92151-3706  | 4        |
| BOLT (Ref # 92151B)            | 92151-3710  | 2        |
| WASHER (Ref # 92200)           | 92200-3740  | 2        |