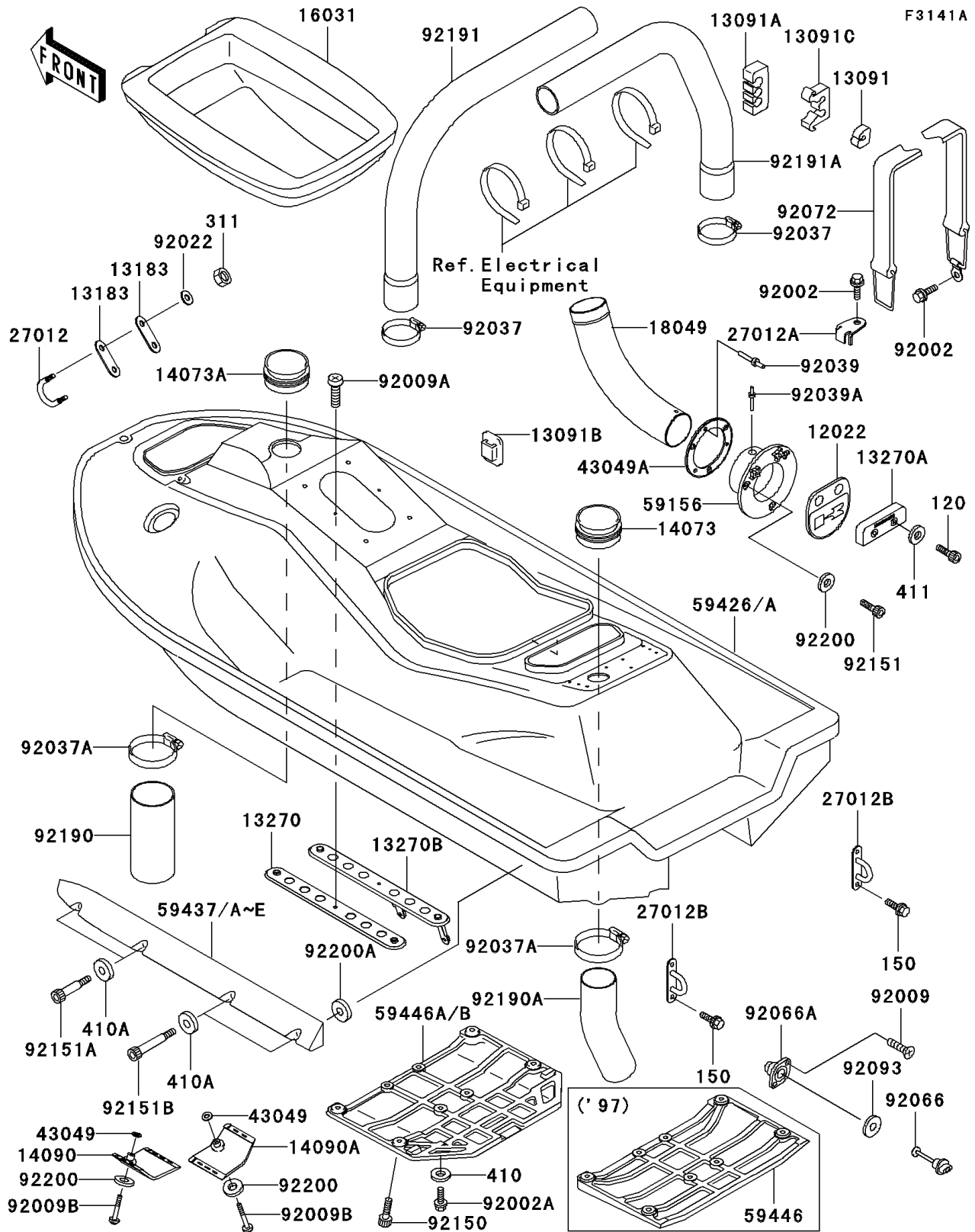


# 1997 1100 ZXi PARTS DIAGRAM

Hull(JH1100-A2-A5)



# 1997 1100 ZXi PARTS LIST

Hull(JH1100-A2-A5)

ITEM NAME	PART NUMBER	QUANTITY
VALVE-REED (Ref # 12022)	12022-3706	1
HOLDER (Ref # 13091)	13091-3712	3
HOLDER,TUBE (Ref # 13091A)	13091-3758	3
HOLDER,BAND (Ref # 13091B)	13091-3764	8
HOLDER,FILTER (Ref # 13091C)	13091-3795	1
PLATE (Ref # 13183)	13183-3809	2
PLATE,HANDLE POLE BRACKET (Ref # 13270)	13270-3776	1
PLATE (Ref # 13270A)	13270-3785	1
PLATE,HANDLE POLE BRACKET (Ref # 13270B)	13270-3844	1
DUCT,AIR INTAKE (Ref # 14073)	14073-3750	1
DUCT,AIR INTAKE (Ref # 14073A)	14073-3762	1
COVER,RAM,LH (Ref # 14090)	14090-3787	1
COVER,RAM,RH (Ref # 14090A)	14090-3788	1
FLOAT,TANK (Ref # 16031)	16031-3837	1
PIPE-EXHAUST (Ref # 18049)	18049-3755	1
HOOK (Ref # 27012)	27012-3776	1
HOOK,WATER MUFFLER (Ref # 27012A)	27012-3777	2
HOOK,REAR (Ref # 27012B)	27012-3782	2
PACKING (Ref # 43049)	43049-3710	2
PACKING (Ref # 43049A)	43049-3711	1
PIPE-TAIL (Ref # 59156)	59156-3714	1
STABILIZER,LH,F.RED (Ref # 59437A)	59437-3711-6L	1
STABILIZER,RH,F.RED (Ref # 59437D)	59437-3712-6L	1
COVER-JET PUMP,J.WHITE (Ref # 59446)	59446-3735-8C	1
BOLT,6X16 (Ref # 92002)	92002-3728	4
BOLT,6X20 (Ref # 92002A)	92002-3755	4
SCREW,TAPPING,4X14 (Ref # 92009)	92009-3755	2
SCREW,5X16 (Ref # 92009A)	92009-3789	2
SCREW,5X35 (Ref # 92009B)	92009-3831	2

# 1997 1100 ZXi PARTS LIST

Hull(JH1100-A2-A5)

ITEM NAME	PART NUMBER	QUANTITY
WASHER,6.5X20X1.5 (Ref # 92022)	92022-3710	2
BOLT-SOCKET (Ref # 120)	120R0616	2
BOLT-WS,6X18 (Ref # 150)	150R0618	4
NUT-HEX,6MM (Ref # 311)	311R0600	2
WASHER-PLAIN-SMALL,6MM (Ref # 410)	410S0600	4
WASHER-PLAIN-SMALL,8MM (Ref # 410A)	410S0800	8
WASHER-PLAIN,6MM (Ref # 411)	411S0600	2
CLAMP (Ref # 92037)	92037-3009	2
CLAMP (Ref # 92037A)	92037-541	2
RIVET,4MM (Ref # 92039)	92039-3703	3
RIVET,4.8MM (Ref # 92039A)	92039-3719	1
PLUG,RR,DRAIN (Ref # 92066)	92066-3744	1
PLUG,DRAIN (Ref # 92066A)	92066-3749	1
BAND,WATER MUFFLER (Ref # 92072)	92072-3781	2
SEAL (Ref # 92093)	92093-3720	1
BOLT,SOCKET,6X18 (Ref # 92150)	92150-3775	4
BOLT,SOCKET,5X25 (Ref # 92151)	92151-3709	3
BOLT,SOCKET,6X40 (Ref # 92151A)	92151-3719	4
BOLT,SOCKET,6X52 (Ref # 92151B)	92151-3720	4
TUBE (Ref # 92190)	92190-3962	1
TUBE (Ref # 92190A)	92190-3963	1
TUBE,LH (Ref # 92191)	92191-3775	1
TUBE,RH (Ref # 92191A)	92191-3797	1
WASHER (Ref # 92200)	92200-3748	5
WASHER,6X16X3 (Ref # 92200A)	92200-3754	8
HULL-COMP,J.WHITE (Ref # 59426A)	59426-3887-8C	1