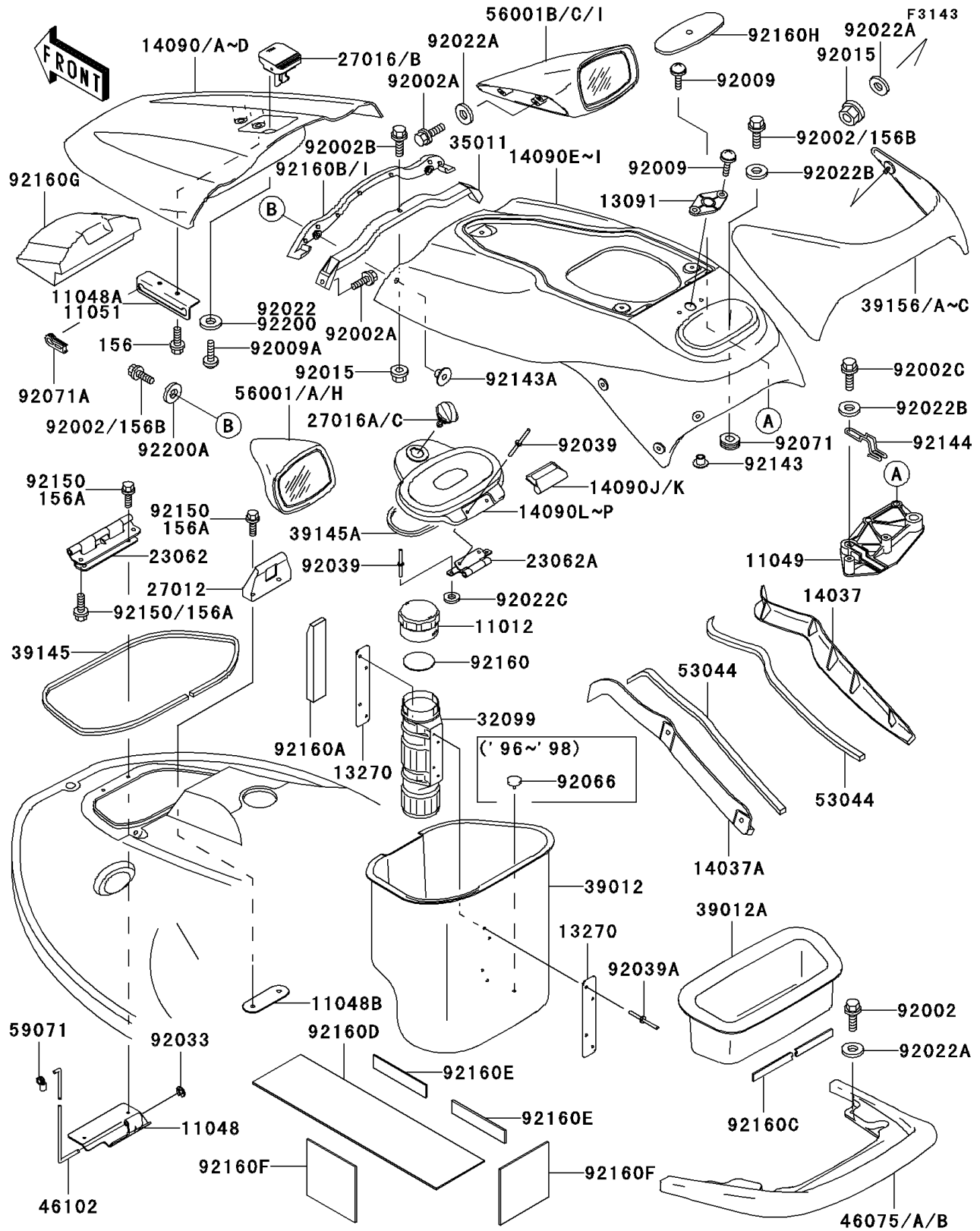


# 1998 1100 ZXi PARTS DIAGRAM

## Hull Fittings



# 1998 1100 ZXi PARTS LIST

## Hull Fittings

ITEM NAME	PART NUMBER	QUANTITY
CAP,FIRE EXTINGUISHER (Ref # 11012)	11012-3766	1
BRACKET,HATCH COVER (Ref # 11048)	11048-3776	1
BRACKET,HATCH COVER (Ref # 11048A)	11048-3777	1
BRACKET,HATCH COVER LOCK (Ref # 11048B)	11048-3778	1
BRACKET,FUEL TAP (Ref # 11049)	11049-3714	1
HOLDER,LOCK (Ref # 13091)	13091-3789	1
PLATE,FIRE EXTINGUISHER (Ref # 13270)	13270-3729	2
SCREEN,HANDLE COVER,RH (Ref # 14037)	14037-3705	1
SCREEN,HANDLE COVER,LH (Ref # 14037A)	14037-3706	1
COVER,HATCH,P.C.GRAY (Ref # 14090B)	14090-3747-JR	1
COVER,HANDLE,P.C.GRAY (Ref # 14090G)	14090-3748-JR	1
COVER,STORAGE HINGE,BLACK (Ref # 14090K)	14090-3763-6D	1
COVER,CENTER STORAGE,P.C.GRAY (Ref # 14090N)	14090-3774-JR	1
BRACKET-COMP,HATCH COVER (Ref # 23062)	23062-3711	1
BRACKET-COMP,STORAGE HINGE (Ref # 23062A)	23062-3713	1
HOOK,HATCH COVER LOCK (Ref # 27012)	27012-3803	1
LOCK-ASSY,HATCH COVER (Ref # 27016B)	27016-3737	1
LOCK-ASSY,STORAGE COVER (Ref # 27016C)	27016-3741	1
CASE,FIRE EXTINGUISHER (Ref # 32099)	32099-3769	1
STAY,MIRROR (Ref # 35011)	35011-3708	1
CASE-STORAGE,FR (Ref # 39012)	39012-3713	1
CASE-STORAGE,TOOL CASE (Ref # 39012A)	39012-3714	1
TRIM-SEAL (Ref # 39145)	39145-3743	1
TRIM-SEAL,L=450 (Ref # 39145A)	39145-3744	1
PAD,KNEE,S.GRAY (Ref # 39156)	39156-3782-LG	1
GRIP,TAIL,F.BLACK (Ref # 46075B)	46075-3736-6Z	1
ROD,HATCH COVER STOPPER (Ref # 46102)	46102-3722	1
TRIM,L=385 (Ref # 53044)	53044-1255	2
MIRROR-ASSY,LH,F.BLACK (Ref # 56001A)	56001-3707-6Z	1

# 1998 1100 ZXi PARTS LIST

## Hull Fittings

ITEM NAME	PART NUMBER	QUANTITY
MIRROR-ASSY,RH,F.BLACK (Ref # 56001C)	56001-3708-6Z	1
JOINT (Ref # 59071)	59071-3743	1
BOLT,6X25 (Ref # 92002)	92002-3714	8
BOLT,6X30 (Ref # 92002A)	92002-3726	6
BOLT,6X16 (Ref # 92002B)	92002-3728	1
BOLT,6X12 (Ref # 92002C)	92002-3763	1
SCREW,6X20 (Ref # 92009)	92009-3781	4
SCREW,5X16 (Ref # 92009A)	92009-3789	2
NUT,6MM (Ref # 92015)	92015-3767	7
WASHER,6.5X20X1.5 (Ref # 92022A)	92022-3710	14
WASHER,6.2X20X2 (Ref # 92022B)	92022-3714	3
WASHER (Ref # 92022C)	92022-563	2
RING-SNAP,E-TYPE,4MM (Ref # 92033)	92033-3722	1
RIVET,4MM (Ref # 92039)	92039-3703	4
RIVET (Ref # 92039A)	92039-3755	4
PLUG (Ref # 92066)	92066-3752	1
GROMMET (Ref # 92071)	92071-3808	2
GROMMET (Ref # 92071A)	92071-3809	1
COLLAR (Ref # 92143)	92143-3750	2
COLLAR (Ref # 92143A)	92143-3753	2
SPRING (Ref # 92144)	92144-3746	1
BOLT-WP,6X12 (Ref # 156)	156R0612	2
BOLT,6X18 (Ref # 92150)	92150-3729	6
DAMPER (Ref # 92160)	92160-3814	1
DAMPER (Ref # 92160A)	92160-3821	1
DAMPER,TOOL CASE (Ref # 92160C)	92160-3836	1
DAMPER (Ref # 92160D)	92160-3839	1
DAMPER (Ref # 92160E)	92160-3840	2
DAMPER,WATER MUFFLER (Ref # 92160F)	92160-3841	2

# 1998 1100 ZXi PARTS LIST

## Hull Fittings

ITEM NAME	PART NUMBER	QUANTITY
DAMPER,FIRE EXTINGUISHER CASE (Ref # 92160G)	92160-3858	1
DAMPER (Ref # 92160H)	92160-3863	1
DAMPER,HANDLE COVER,FR (Ref # 92160I)	92160-3893	1
WASHER,5.9X16X1.5 (Ref # 92200)	92200-3714	2
WASHER,7.5X24X1.5 (Ref # 92200A)	92200-3741	2