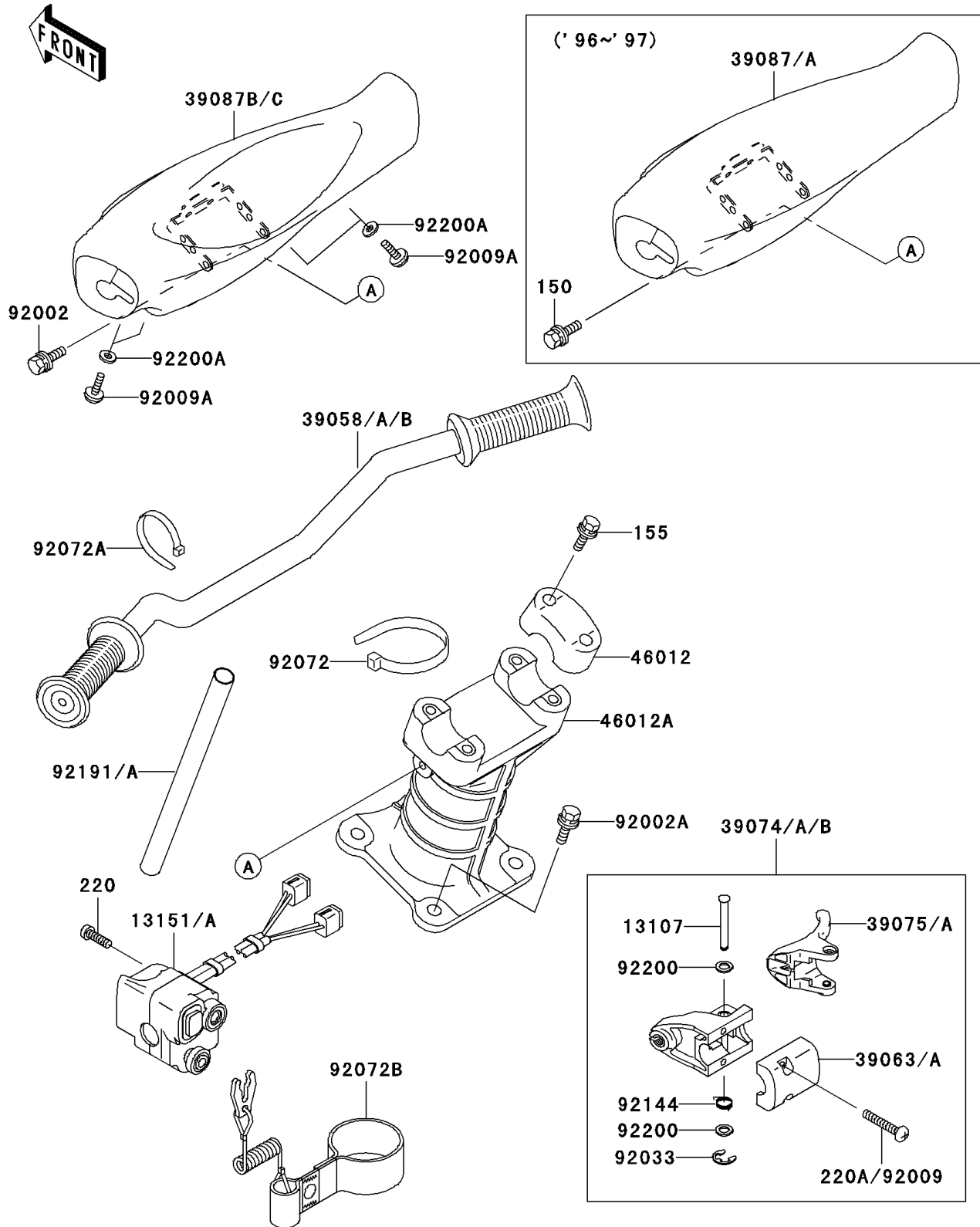


1999 1100 ZXi PARTS DIAGRAM

Handlebar

F3172



1999 1100 ZXi PARTS LIST

Handlebar

ITEM NAME	PART NUMBER	QUANTITY
BOLT-WSP-SMALL,8X35 (Ref # 155)	155R0835	4
SCREW-PAN-CROS,5X30 (Ref # 220)	220R0530	3
SHAFT (Ref # 13107)	13107-3740	1
SWITCH-COMP,STOP&START&TRIM (Ref # 13151A)	13151-3737	1
HANDLE-COMP,F.BLACK (Ref # 39058B)	39058-3722-6Z	1
HOUSING-CONTROL (Ref # 39063A)	39063-3722	1
LEVER-ASSY-THROTTLE (Ref # 39074A)	39074-3719	1
LEVER-THROTTLE (Ref # 39075A)	39075-3714	1
PAD-HANDLE,BLACK (Ref # 39087C)	39087-3726-MA	1
HOLDER-HANDLE,UPP (Ref # 46012)	46012-3720	2
HOLDER-HANDLE,LWR (Ref # 46012A)	46012-3724	1
BOLT,6X12 (Ref # 92002)	92002-3763	2
BOLT,8X25 (Ref # 92002A)	92002-3774	4
SCREW,6X30 (Ref # 92009)	92009-3837	2
SCREW,4X12 (Ref # 92009A)	92009-3843	4
RING-SNAP (Ref # 92033)	92033-3723	1
BAND,L=292.1 (Ref # 92072)	92072-3509	1
BAND,L=201 (Ref # 92072A)	92072-3778	1
BAND,TETHER SWITCH (Ref # 92072B)	92072-3784	1
SPRING (Ref # 92144)	92144-3749	1
TUBE,22X24X165 (Ref # 92191A)	92191-3861	1
WASHER (Ref # 92200)	92200-3738	2
WASHER,4.3X9.7X0.8 (Ref # 92200A)	92200-3764	4