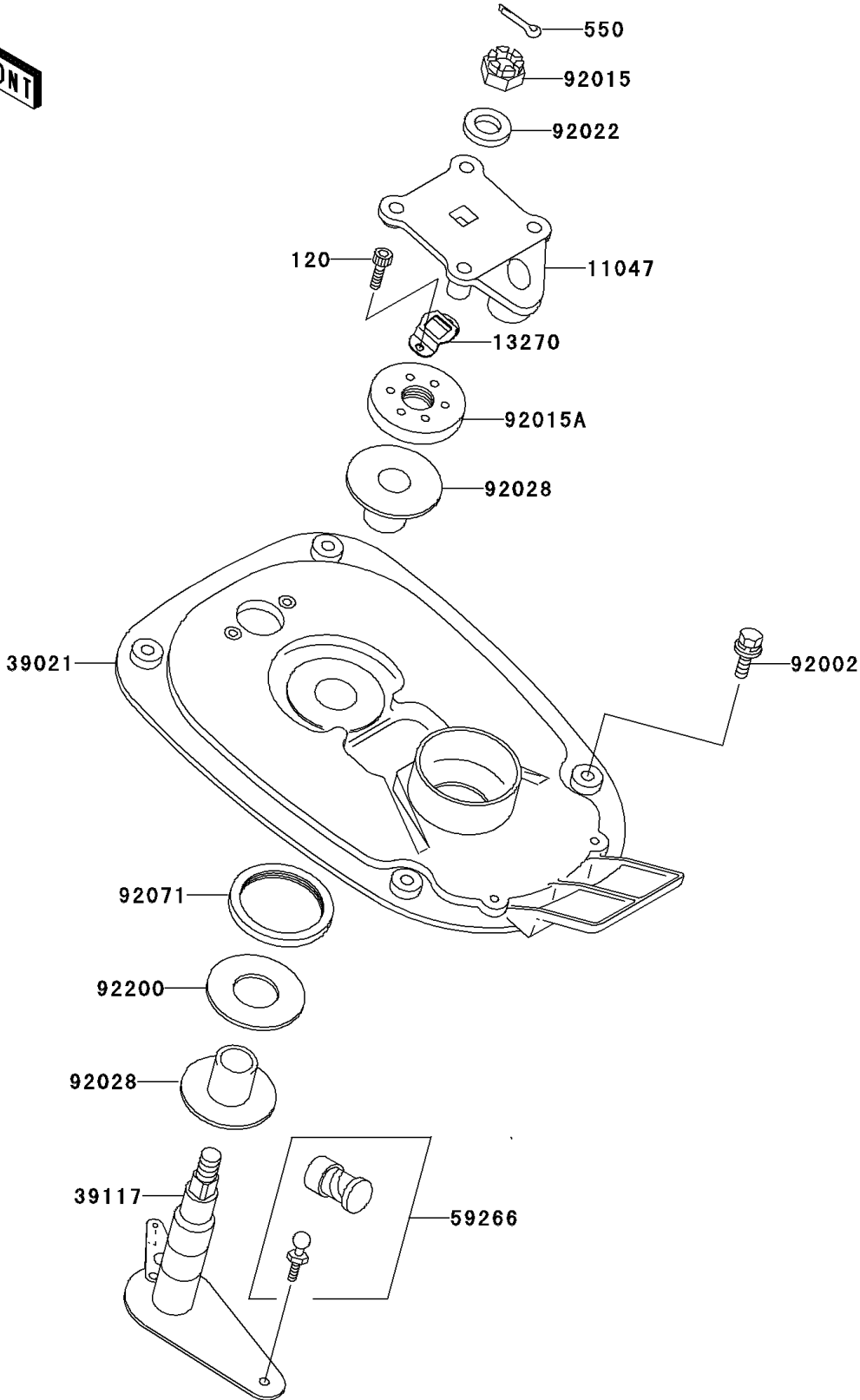


# 2001 1100 Zxi PARTS DIAGRAM

Handle Pole

F3171



## 2001 1100 Zxi PARTS LIST

### Handle Pole

| ITEM NAME                           | PART NUMBER | QUANTITY |
|-------------------------------------|-------------|----------|
| BOLT-SOCKET,5X10 (Ref # 120)        | 120R0510    | 2        |
| PIN-COTTER,3X35 (Ref # 550)         | 550S3035    | 1        |
| BRACKET,HANDLE HOLDER (Ref # 11047) | 11047-3759  | 1        |
| PLATE (Ref # 13270)                 | 13270-3780  | 1        |
| BRACKET-HANDLE POLE (Ref # 39021)   | 39021-3705  | 1        |
| SHAFT-STRG (Ref # 39117)            | 39117-3709  | 1        |
| JOINT-BALL (Ref # 59266)            | 59266-3707  | 1        |
| BOLT,8X25 (Ref # 92002)             | 92002-3774  | 4        |
| NUT,CASTLE,14MM (Ref # 92015)       | 92015-3805  | 1        |
| NUT (Ref # 92015A)                  | 92015-3852  | 1        |
| WASHER,15X34X2.0 (Ref # 92022)      | 92022-3738  | 1        |
| BUSHING,STEERING (Ref # 92028)      | 92028-3748  | 2        |
| GROMMET (Ref # 92071)               | 92071-3792  | 1        |
| WASHER,32.5X70X2 (Ref # 92200)      | 92200-3718  | 1        |