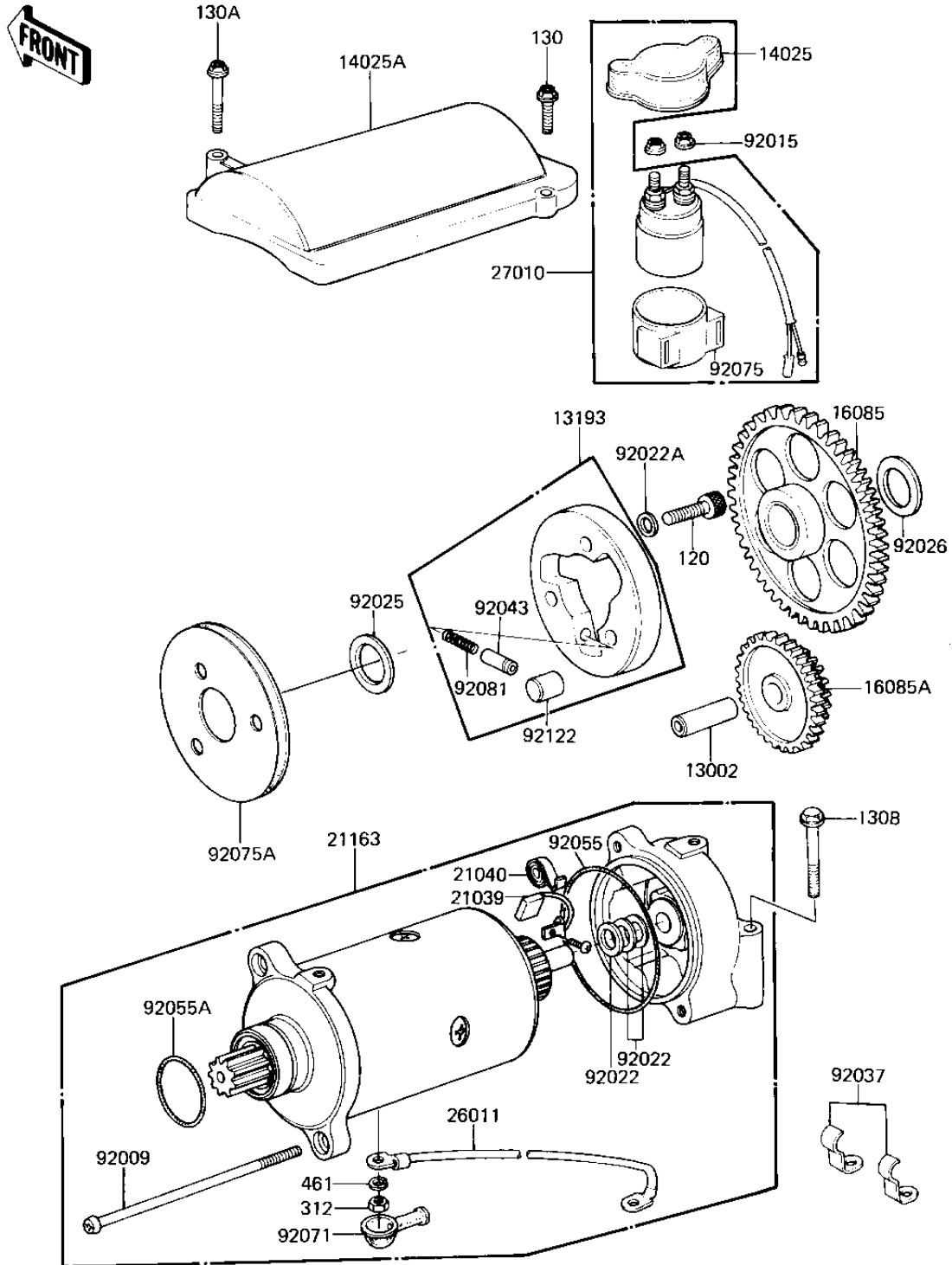


# 1982 KZ1300-A4 PARTS DIAGRAM

## STARTER MOTOR/STARTER CLUTCH

E1840-0027



# 1982 KZ1300-A4 PARTS LIST

## STARTER MOTOR/STARTER CLUTCH

ITEM NAME	PART NUMBER	QUANTITY
PIN-PISTON (Ref # 13002)	13002-019	1
CLUTCH-ASSY-ONEWAY (Ref # 13193)	13193-1012	1
COVER,MAGNETIC SWITCH (Ref # 14025)	14025-1165	1
COVER,STARTER MOTOR (Ref # 14025A)	14025-1752	1
GEAR,STARTER CLUTCH (Ref # 16085)	16085-1010	1
GEAR,STARTER REDUCTON (Ref # 16085A)	16085-1011	1
CARBON BRUSH (Ref # 21039)	21039-003	2
SPRING,CARBON BRUSH (Ref # 21040)	21040-003	2
STARTER-ELECTRIC (Ref # 21163)	21163-1030	1
WIRE,LEAD,STARTER MTR (Ref # 26011)	26011-1054	1
SWITCH,MAGNETIC (Ref # 27010)	27010-1025	1
SCREW,PAN HEAD,6X110 (Ref # 92009)	21015-005	2
NUT-6MM (Ref # 92015)	92015-1078	2
WASHER,THRUST,0.2T (Ref # 92022)	21025-011	AR
WASHER,PLAIN (Ref # 92022A)	92022-1108	3
SHIM,25.3X36X0.3 (Ref # 92025)	92025-1019	1
SPACER,25X34X2.3 (Ref # 92026)	92026-1059	1
CLAMP,LEAD WIRE (Ref # 92037)	92037-1345	2
PIN (Ref # 92043)	92043-087	3
"0" RING,STARTING MTR (Ref # 92055)	21027-003	2
"0" RING,STARTING MTR (Ref # 92055A)	21027-004	1
GROMMET,CORD (Ref # 92071)	21017-017	1
DAMPER MAG SWITCH SHK (Ref # 92075)	21064-002	1
DAMPER (Ref # 92075A)	92075-1390	1
SPRING (Ref # 92081)	92081-110	3
ROLLER (Ref # 92122)	92122-004	3
BOLT,SOCKET,8X25 (Ref # 120)	120P0825	3
BOLT,FLANGED,6X25 (Ref # 130)	130B0625	1
BOLT,FLANGED,6X40 (Ref # 130A)	130B0640	1

# 1982 KZ1300-A4 PARTS LIST

## STARTER MOTOR/STARTER CLUTCH

ITEM NAME	PART NUMBER	QUANTITY
BOLT,FLANGED,6X55 (Ref # 130B)	130G0655	2